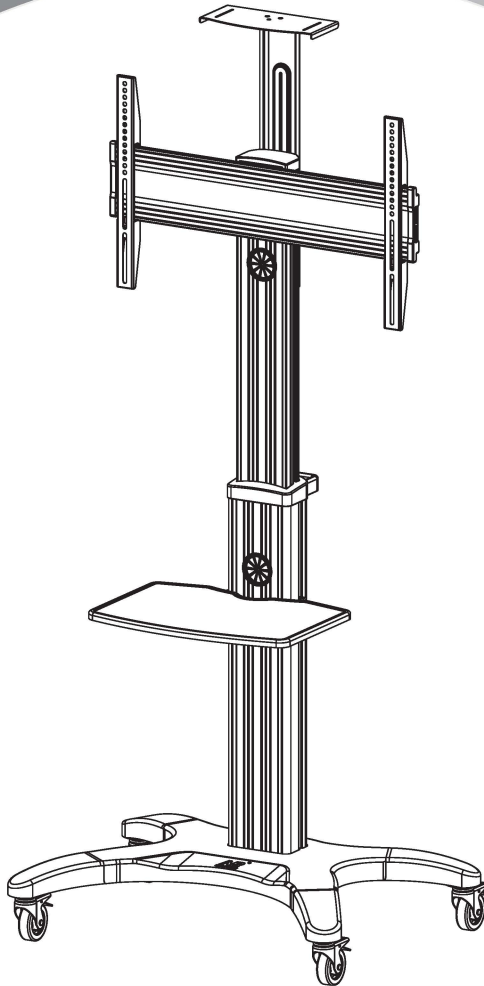


INSTALLATION INSTRUCTION



AVF1500-50-1P

Multi-functional and professional mobile stand

For TV panel: 32"-60"

Maximum load capacity: 80 lbs / 36.4 kg

AV shelf max load: 10 lbs / 4.5 kg

Video tray max load: 10 lbs / 4.5 kg

VESA:200x200-600x400mm

Table of Contents




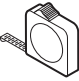




Table of Contents and Warning	2 / 13
Parts list	3 / 13
Assembly and Installation	
1. Wheels to base installation	4 / 13
2. Poles to base installation	5 / 13
3. Tilting mechanism assembly to column installation	6 / 13
4. AV shelf to stand installation	7 / 13
5. Wires and cables routing and management	8 / 13
6. VESA mounting patterns	9 / 13
7. Selection of VESA mounting patterns	10 / 13
8. Mounting TV on interface	11 / 13
9. Video tray installation	12 / 13
10. Viewing angles and height adjustment	13 / 13

WARNING!

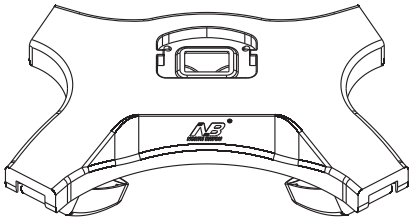
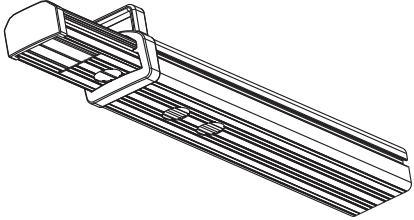
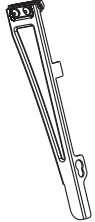
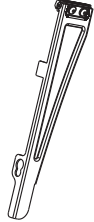

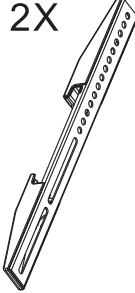
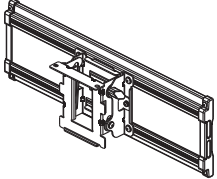















Severe personal injury and property damage can result from improper installation or assembly. Read the following warning carefully before beginning.

- If you do not understand the instructions or have any concerns or questions, please contact a qualified local installer.
 - Do not install or assemble if the product or hardware is damaged or missing, if you require replacement parts, please contact your local distributor for assistance.
 - This product fits most 32"-60" LCD/plasma screen; maximum weight of LCD/plasma screen: 80lbs/36.4kg; AV shelf max load: 10lbs/4.5kg; Video tray max load: 10lbs/4.5kg.
 - Do not use this product for anything other than the original design.
 - This product contains moving parts, please use with caution.
 - The manufacturer disclaims any liability for the modifications, improper installation, or installation over the specified weight range. The manufacturer will not be liable for any damages arising out of the use of, or inability to use, the product.
- ▶ All images are for reference, to prevail in product.

Manual

							
Tightening Direction	Loosening Direction	Phillips Screwdriver	Metre Rule	Adjustment	By Hand	Hex Wrench	+ Tightening - Loosening

Parts List

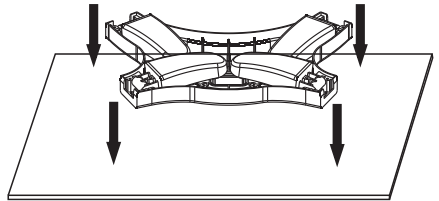
1X 			1X 		
1X 	1X 	1X 	2X 	1X 	
1X 	1X 	3X 	4X 		
A 4X  M4×12mm	B 4X  M5×25mm	C 4X  M6×25mm	D 4X  M8×25mm	E 4X  Φ16×Φ6.2×1.5mm	
F 4X  Φ19×8.5×H13mm	G 4X  M8×35mm	H 1X  M5	I 4X  M6×20mm	J 2X  M5×12mm	K 2X  M6×20mm

1. Wheels to base installation

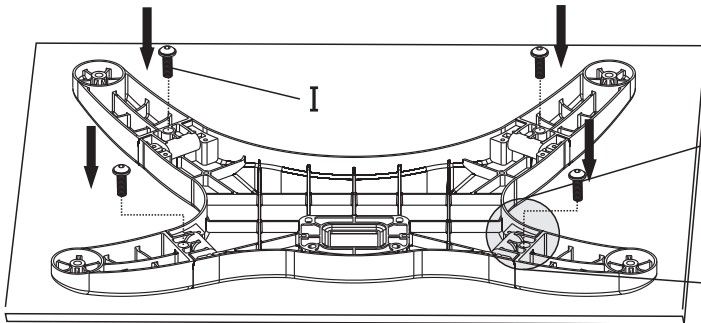
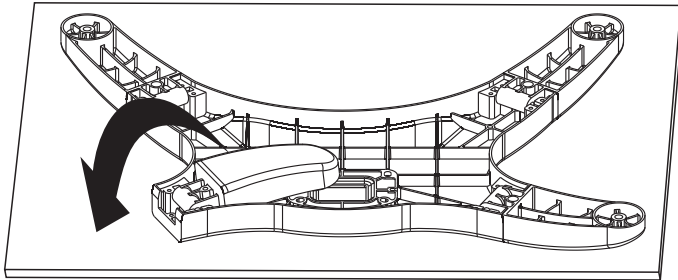
Step 1:
Take sheet foam from
box and lay it on floor.



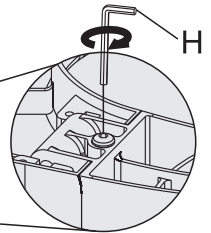
Step 2:
Put base upside down
on sheet foam.



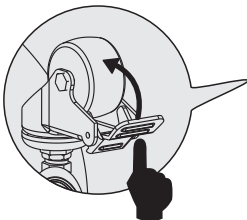
Step 3



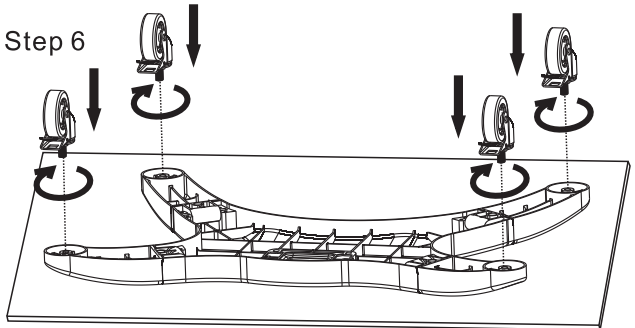
Step 4



Step 5

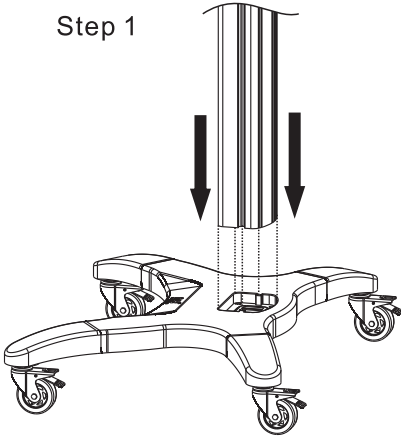


Step 6

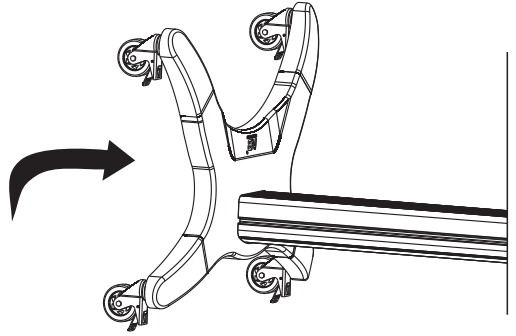


2.Poles to base installation

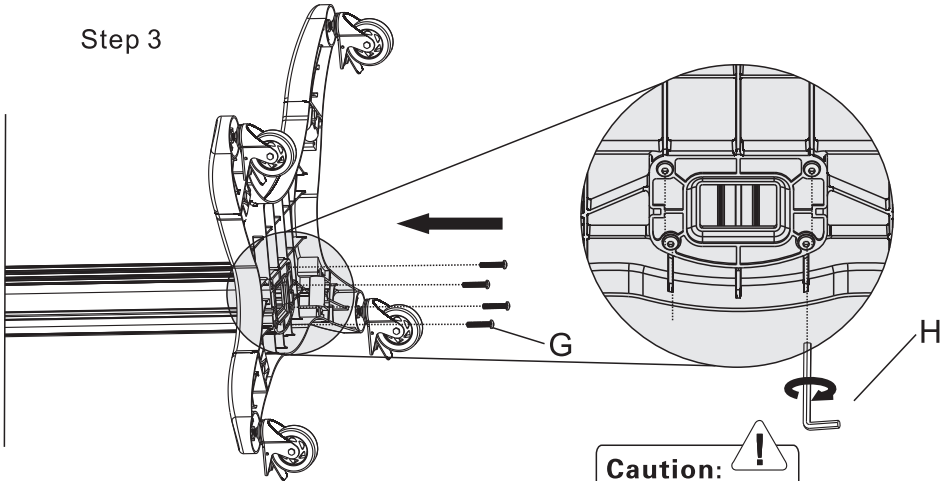
Step 1




Step 2

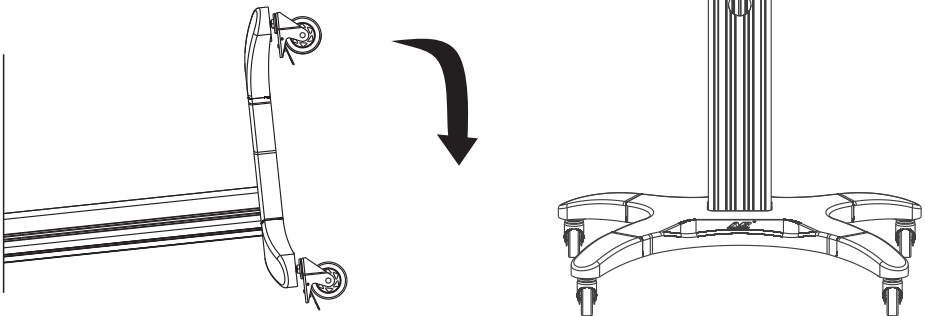


Step 3

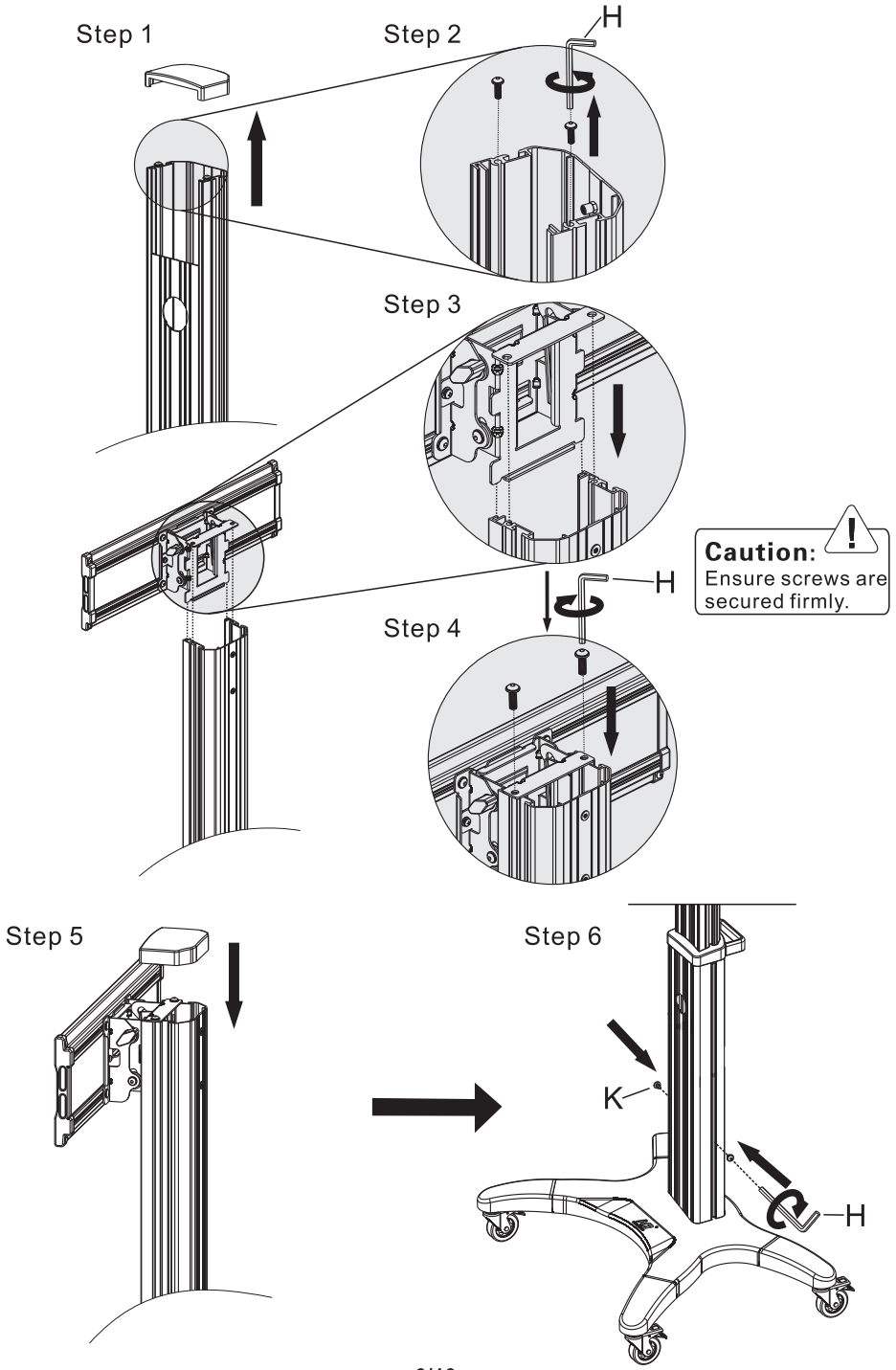


Caution:  Ensure screws are secured firmly.

Step 4

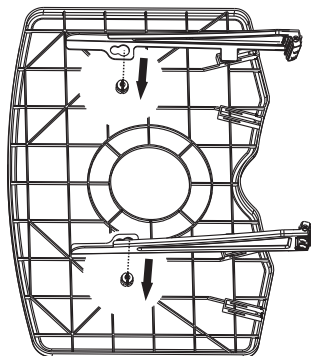


3. Tilting mechanism assembly to column installation

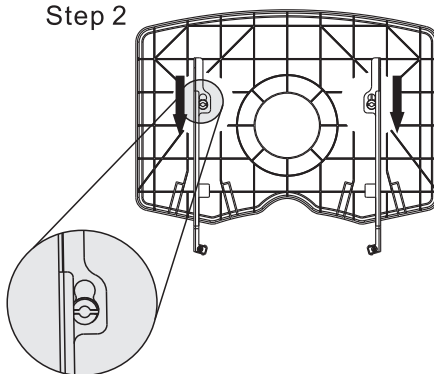


4. AV shelf to stand installation

Step 1

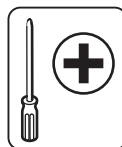
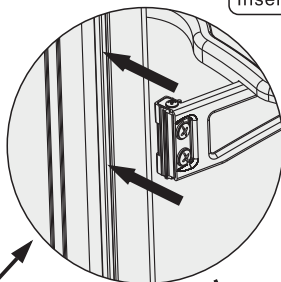



Step 2



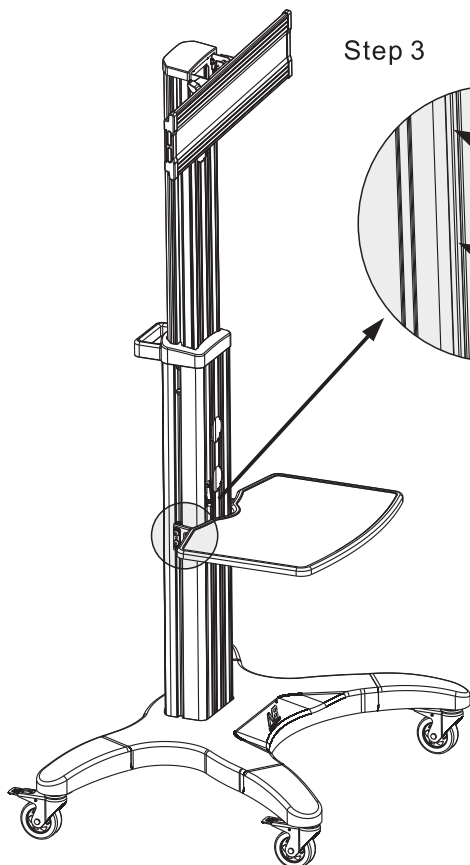
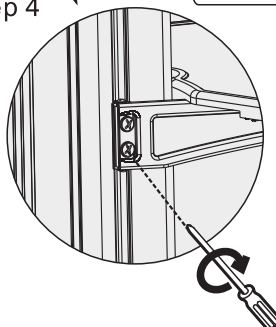
Step 3

Note:
Insert into slots.



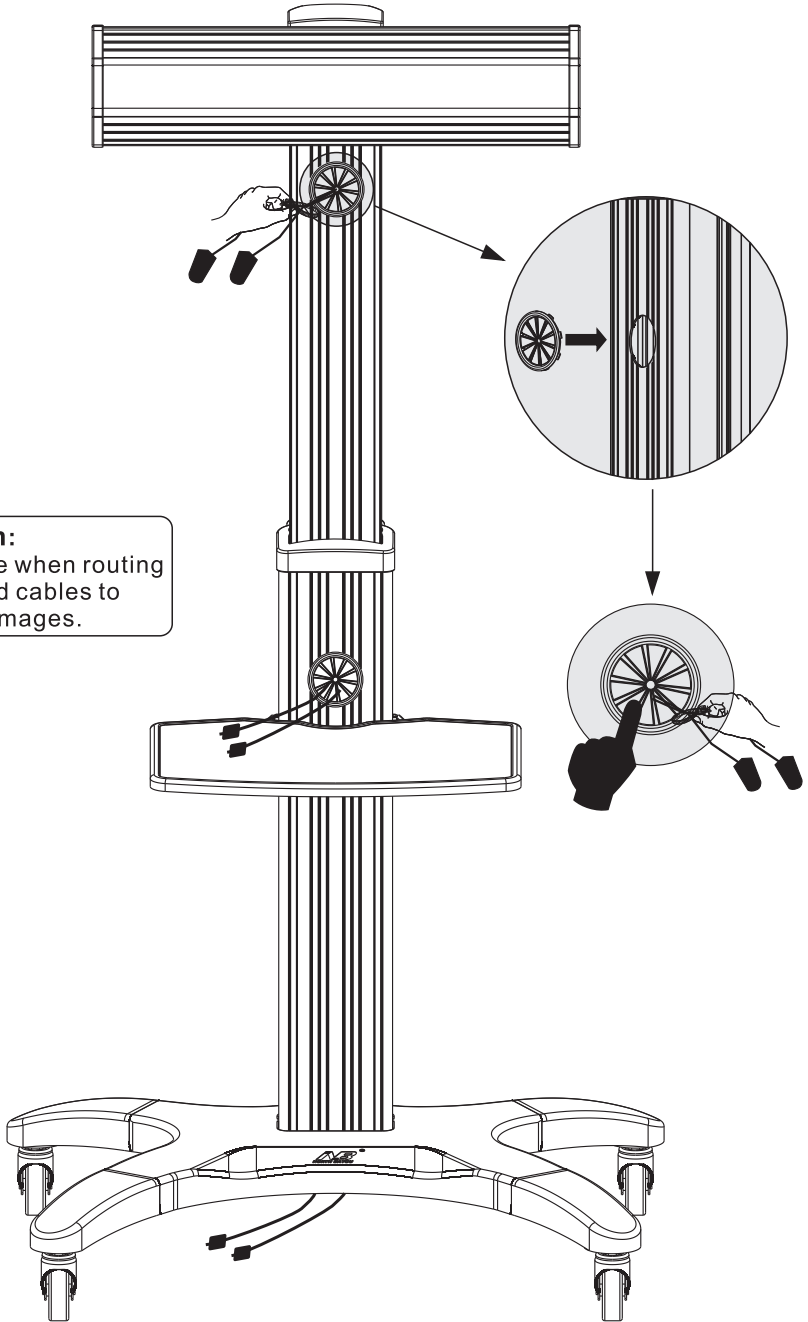
Caution: 
Ensure screws are
tighten and gripped
firmly.

Step 4



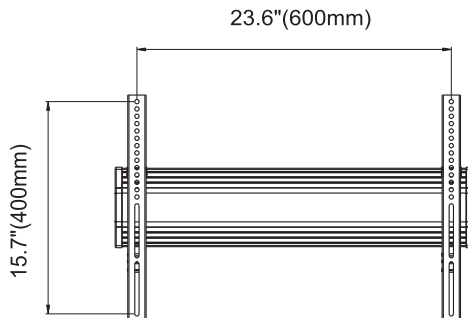
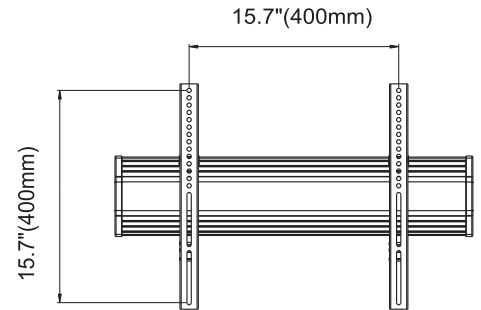
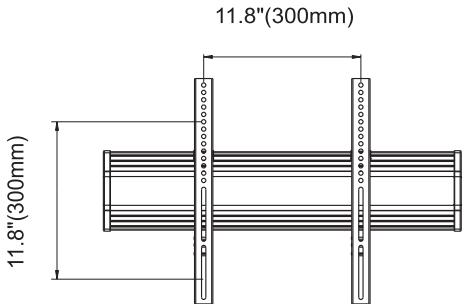
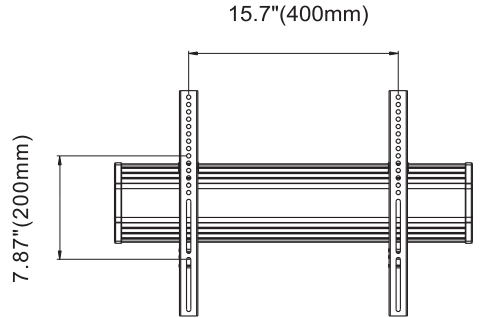
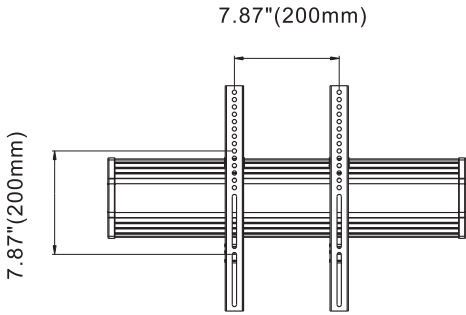
5. Wires and cables routing and management

Caution:
Be gentle when routing
wires and cables to
avoid damages.



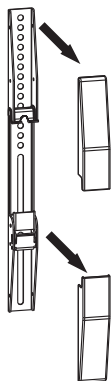
6. VESA mounting patterns

VESA: 200x200~600x400mm

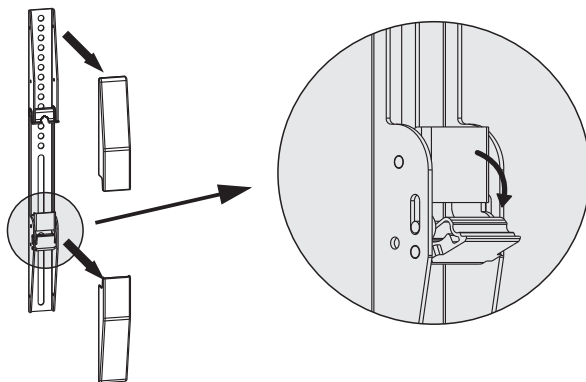


7. Selection of VESA mounting patterns

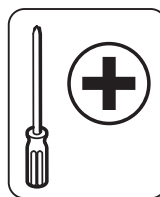
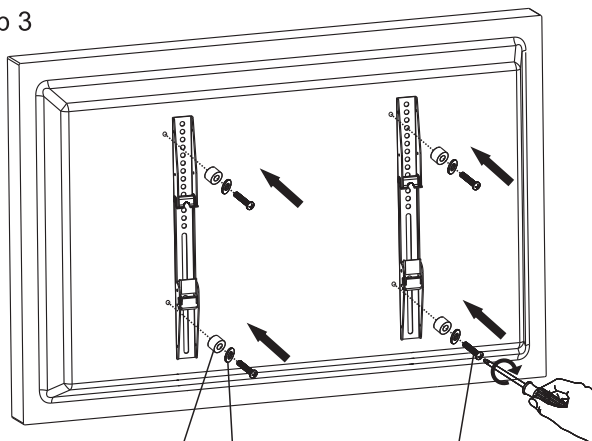
Step 1



Step 2



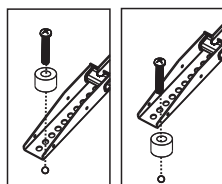
Step 3



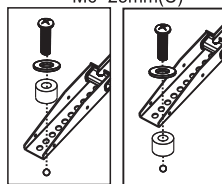
F E (B,C)+E+F / D+F / A+E

Note:
To avoid damaging to TV plastic spacers must be used when depth of mounting holes is at minimal.

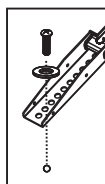
M8×25mm(D)



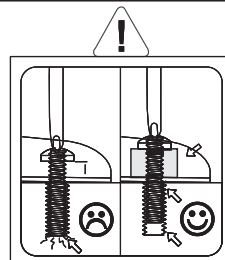
M5×25mm(B)
M6×25mm(C)



M4×12mm(A)

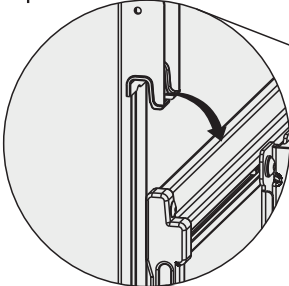


Safety advise

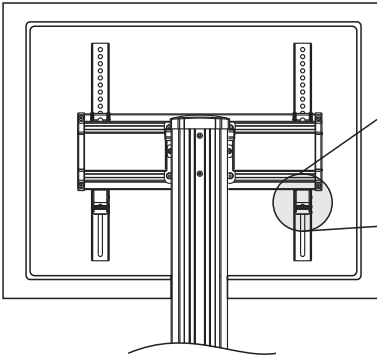


8. Mounting TV on interface

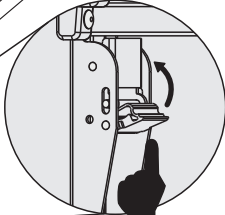
Step 1



Step 2:
Position TV to center.

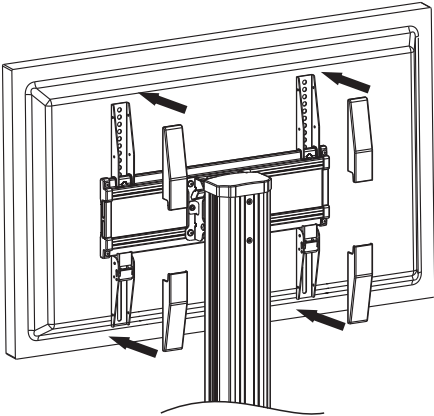


Step 3



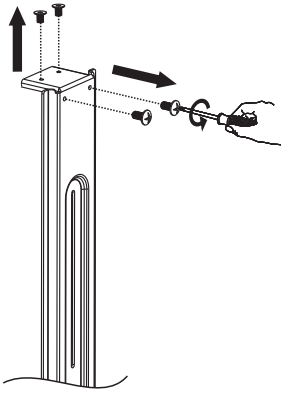
Caution:
Push lock blade upward until it clicked on and locked.

Step 4

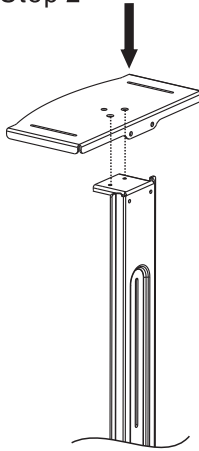


9. Video tray installation

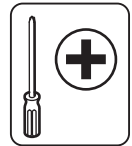
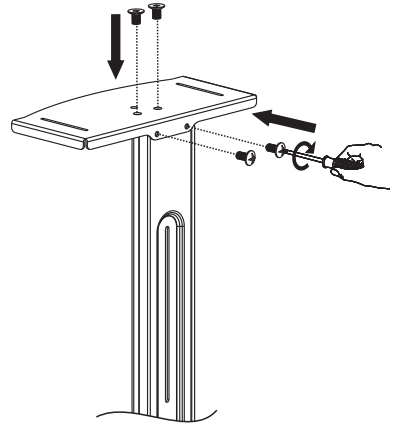
Step 1



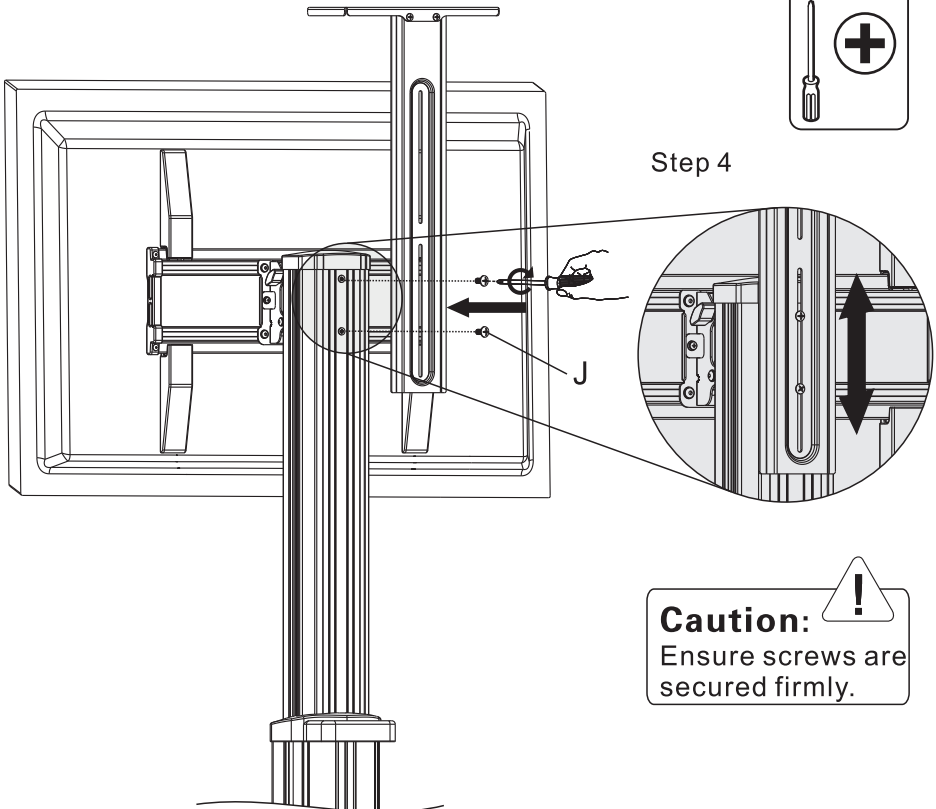
Step 2



Step 3



Step 4



Caution: 
Ensure screws are secured firmly.

10. Viewing angles and height adjustment

