

# PowerEdge T320



Technical Guide



Designed for a broad range of workloads and applications, the PowerEdge T320 delivers performance, reliability and value.



This document is for informational purposes only. Dell reserves the right to make changes without further notice to any products herein. The content provided is as is and without express or implied warranties of any kind.

Dell, the DELL logo, PowerEdge, EqualLogic, PowerVault, OpenManage, KACE, and ReadyRails are trademarks of Dell, Inc. Intel, Pentium, and Xeon are registered trademarks of Intel Corporation in the U.S. and other countries. Microsoft, Windows, Windows Server, BitLocker, ActiveX, Internet Explorer, and Hyper-V are either registered trademarks or trademarks of Microsoft Corporation in the United States and/or other countries. Novell and SUSE are registered trademarks of Novell, Inc. in the United States and other countries. IBM, Tivoli, and Netcool are registered trademarks of IBM in the United States. Other trademarks and trade names may be used in this document to refer to either the entities claiming the marks and names or their products. Dell disclaims proprietary interest in the marks and names of others.

©Copyright 2014 Dell Inc. All rights reserved. Reproduction or translation of any part of this work beyond that permitted by U.S. copyright laws without the written permission of Dell Inc. is unlawful and strictly forbidden.

March 2014 | Version 6.0



# Table of contents

---

1	System overview.....	5
	Introduction.....	5
	Key technologies .....	6
2	System features .....	7
	Comparison of PowerEdge systems .....	7
	Specifications .....	8
3	Chassis views and features.....	11
	Chassis views.....	11
	Chassis features .....	14
4	Processor.....	17
	Processor features.....	17
	Supported processors.....	17
	GPU support .....	18
	Chipset.....	18
5	Memory.....	19
	Supported memory .....	19
	Memory configurations .....	20
	Memory speed .....	20
	Memory RAS features.....	21
6	Storage .....	23
	Internal storage .....	23
	External storage .....	23
	Storage controllers.....	24
	Optical drive .....	25
	Tape drive.....	25
7	Networking and PCIe .....	26
	Embedded NIC controller.....	26
	PCIe expansion .....	26
8	Power, thermal and acoustics .....	27
	Power consumption and energy efficiency.....	27
	Power supply units .....	28
	Thermal and acoustics.....	29
9	Rack rails and cable management .....	32
	Sliding rails .....	32
	Cable management arm.....	33
10	Operating systems and virtualization .....	34
	Supported operating systems.....	34
	Supported virtualization .....	34
11	Dell OpenManage systems management.....	36
	Systems management solutions.....	36
	OpenManage systems management .....	37
	Dell server management operations.....	42
Appendix A.	Additional specifications.....	45
	Chassis weight.....	45
	Chassis weight.....	45
	Power supply specifications .....	45
	Environmental specifications .....	46
	Video specifications .....	47
	Rack rail specifications .....	48
	USB peripherals.....	48



Appendix B.	Standards compliance .....	49
Appendix C.	Additional resources.....	51
Appendix D.	System board block diagram .....	53

## Tables

Table 1.	Key technologies .....	6
Table 2.	Comparing the PowerEdge T310 to PowerEdge T320 .....	7
Table 3.	Technical specifications .....	8
Table 4.	Chassis configurations .....	11
Table 5.	Chassis features .....	14
Table 6.	Security features .....	16
Table 7.	Supported processors .....	18
Table 8.	Memory technologies supported .....	19
Table 9.	DIMMs supported .....	20
Table 10.	Memory speed capabilities .....	21
Table 11.	Memory RAS features .....	21
Table 12.	Supported hard drives .....	23
Table 13.	Supported RAID controllers.....	24
Table 14.	Supported external storage .....	25
Table 15.	Supported NICs and HBAs.....	26
Table 16.	Power tools and technologies .....	27
Table 17.	Power supply efficiency .....	29
Table 18.	Acoustical performance .....	31
Table 19.	Supported rack types .....	33
Table 20.	Supported operating systems .....	34
Table 22.	Virtualization support .....	34
Table 23.	iDRAC7 with Lifecycle Controller functions and benefits.....	37
Table 24.	Feature comparison for basic management, iDRAC7 Express, and iDRAC7 Enterprise.....	38
Table 25.	One-to-one and one-to-many operations .....	44
Table 26.	Power supply specifications .....	45
Table 27.	Environmental specifications .....	46
Table 28.	Supported video modes for back VGA port .....	47
Table 29.	Supported video modes for front VGA port .....	47
Table 30.	Rail adjustability range .....	48
Table 31.	Industry standard documents .....	49
Table 32.	Additional resources .....	51

## Figures

Figure 1.	Front view 16-drive bay without bezel .....	11
Figure 2.	Front view with bezel.....	12
Figure 3.	Back view .....	12
Figure 4.	Internal view .....	13
Figure 5.	Rackable front view without bezel.....	13
Figure 6.	LCD control panel.....	15
Figure 7.	QRL location .....	15
Figure 8.	750W power supply unit .....	29
Figure 9.	Sliding rails with optional CMA .....	32
Figure 10.	Dell systems management solutions.....	36
Figure 11.	Systems management server lifecycle .....	43
Figure 12.	Tower and rack chassis dimensions .....	45
Figure 13.	T320 system board block diagram .....	53



# 1 System overview

## Introduction

The one-socket Dell™ PowerEdge™ T320 tower server delivers performance, scalability and enterprise-class reliability, availability and serviceability (RAS) capabilities, enabling users to grow their businesses and organizations and become more productive. The T320's balanced combination of compute power, memory capacity and I/O bandwidth make it an excellent fit for collaboration and productivity applications, file and print serving, mail and messaging, and data coordination and sharing. In addition, the T320's robust design and innovative manageability make it a trustworthy server for branch offices and remote sites that might not have IT staffing.

## Powerful and quietly confident

Featuring the extensive performance of the Intel® Xeon® processor E5-2400 v2 product family, and boasting up to six DIMM slots for memory and five PCIe slots for broad I/O bandwidth, the T320 delivers balanced performance and built-in room for growth. Capacity for up to eight 3.5-inch or 16 2.5-inch hard drives accommodate storage as your business or organization expands. For users not needing the enterprise-class high performance of the Intel Xeon E5-2400 v2 product family, the T320 also supports the more price-sensitive Intel Xeon processor E5-1410 and Intel Pentium® processor 1400 series.

Users selecting the Intel Xeon processor E5-2400 v2 product family can choose to implement advanced memory protection capabilities (memory sparing and memory mirroring) previously not seen in the one-socket x86 server space. These capabilities are not possible with the Intel Xeon processor E5-1410 and the Intel Pentium processor 1400 series. Regardless of the processor type, you can take advantage of other high availability features offered on the T320. To protect your virtualized workloads, the T320 offers redundant dual SD media cards making your hypervisors failsafe. Other reliability and availability features include hot-plug hard drives, both hardware and software RAID options, redundant fans, and hot-plug power supplies. The T320's quiet acoustical profile allows it to fit unobtrusively into quiet office environments.

## Simplified systems management, without compromise

The Dell OpenManage™ systems management portfolio includes integrated Dell Remote Access Controller 7 (iDRAC7) with Lifecycle Controller. This embedded feature helps IT administrators manage Dell servers in physical, virtual, local and remote environments, operating in-band or out-of-band, with or without a systems management software agent installed.

OpenManage iDRAC with Lifecycle Controller integrates and connects to leading third-party systems management solutions (such as those from Microsoft, VMware and BMC Software), so users can maintain a single point of control and capitalize on an existing systems management investment. OpenManage simplifies the lifecycle of deploying, updating, monitoring and maintaining Dell PowerEdge servers.



## Key technologies

Table 1 summarizes key technologies used in the Dell PowerEdge T320 tower server.

**Table 1. Key technologies**

New technology	Detailed description
<b>New Intel processors</b>	Intel Xeon E5-2400 v2 product families, the Intel Xeon E5-1410 v2 processor, and the Intel Pentium processor 1400 series offer new features such as embedded PCI Express® (PCIe) lanes for improved I/O performance. See the Processor section for details.
<b>Intel C600 series chipset</b>	The Intel Platform Controller Hub (PCH) chip is implemented on the T320 server.
<b>1600MT/s DDR3 memory</b>	Certain models of the Intel Xeon processor E5-2400 v2 product families support 1600MT/s memory. The T320 supports two DIMMs per channel at 1600MT/s with certain models. See the Memory section for details.
<b>Next-generation PERC options</b>	The T320 supports the new PERC controller cards with improved functionality and faster performance. See the Storage section for details.
<b>PERC S110 software RAID solution</b>	This new software RAID solution supports RAID 0, 1, 5 and 10, and supports a maximum of four hot-plug SATA hard drives or SATA solid-state drives. See the Storage section for details.
<b>iDRAC7 with Lifecycle Controller</b>	The second-generation embedded systems management solution for Dell servers provides agent-free hardware and firmware inventory and alerting, in-depth memory alerting, faster performance, a dedicated gigabit port, and many more features. See the Dell OpenManage systems management section for details.
<b>Internal GPU support</b>	The T320 supports internal graphics processing units (GPUs) for virtual desktop infrastructure (VDI) and medical imaging. See the Processor section for details.
<b>Advanced power management</b>	The T320 supports advanced power monitoring and power capping tools that can help manage power consumption. See the Power, thermal and acoustics section for details.
<b>Fresh Air cooling</b>	Dell has tested and validated an integrated data center solution that enables you to operate at higher temperatures or even chiller-less. See the Power, thermal and acoustics section for details.
<b>Failsafe hypervisors</b>	The internal dual SD module enables Dell's unique Failsafe Virtualization architecture, ensuring uptime by providing failover capability for embedded hypervisors, such as VMware® vSphere® ESXi™ and Microsoft® Windows Server® 2012 with Hyper-V®. See the Supported virtualization section for details.
<b>Fan fault tolerance</b>	Failure of one fan rotor is tolerated through increasing fan speeds. The feature helps reduce downtime by allowing you to schedule a fan replacement within 360 hours of a fan failure.



## 2 System features

Compared to the previous-generation PowerEdge T310, the T320 supports up to 100% more processor cores, up to 300% more internal storage capacity, PCIe 2.0 and 3.0 I/O slots, and advanced, enterprise-class memory protection including memory sparing and memory mirroring previously not found in one-socket servers. In addition, the T320 is Fresh Air compliant, offers optional failsafe hypervisors and support for an optional, internal graphics processing unit (GPU), and the improved acoustics make the T320 perfect for the quiet office environment.

### Comparison of PowerEdge systems

The 12<sup>th</sup> generation PowerEdge T320 server replaces the T310. Table 2 compares some of the T320 features to those of the T310.

**Table 2. Comparing the PowerEdge T310 to PowerEdge T320**

Feature	PowerEdge T310	PowerEdge T320
<b>Chassis</b>	5U tower	5U rackable tower <sup>1</sup>
<b>Processors</b>	Intel Xeon processor 3400 product family	Intel Xeon processor E5-2400 v2 product family, Intel Xeon processor E5-1410, Intel Pentium processor 1400 product family
<b>Internal interconnect</b>	Intel DMI	Intel DMI 2.0
<b>Memory<sup>2</sup></b>	Up to 6 x DDR3 RDIMM or 4 x DDR3 UDIMM	Up to 6 x DDR3 RDIMM and UDIMM up to 1600MT/s
<b>Hard drive bays</b>	Up to 4 x 3.5" or 2.5" hot plug or cabled	Up to 16 x 2.5" or 8 x 2.5"/3.5" hot plug or 4 x 3.5" cabled
<b>RAID controller</b>	PERC 6/i, SAS 6/iR, PERC 6/E, H200, H700, H800, S100, S300	PERC H310, H710, H710P, H810, S110
<b>PCI slots</b>	Up to 5 PCIe 2.0	Up to 3 PCIe 3.0 and 2 PCIe 2.0
<b>Embedded NICs</b>	2 x 1GbE Dual Port LOM with optional TOE	2 x 1GbE Dual Port LOM with optional TOE
<b>Power supplies</b>	Non-redundant 375W Redundant 400W	Non-redundant 350W Hot-plug redundant 495W, 750W
<b>Dell OpenManage Systems Management</b>	Dell OpenManage Lifecycle Controller 1.x iDRAC6 (Express or Enterprise) with Lifecycle Controller	OpenManage Essentials OMSA Agent OpenManage Power Center (requires iDRAC7 Enterprise with Lifecycle Controller) OpenManage Integrations and Connections Basic management (standard option)
<b>Internal GPU</b>	Not supported	1 single-width or 1 double-width (optional)
<b>Power efficiency</b>	Silver	Platinum
<b>Availability</b>	Hot-plug drives Hot-plug redundant power supply units	Hot-plug drives Hot-plug redundant power supply units Fan fault tolerance Dell fault-resilient memory



<sup>1</sup>Optional kit available for field conversion from tower to rackable unit.

<sup>2</sup>GB means 1 billion bytes and TB equals 1 trillion bytes; actual capacity varies with preloaded material and operating environment and will be less.

## Specifications

Table 3 summarizes the specifications for each of the PowerEdge T320 features. For the latest information on supported features for the PowerEdge T320, visit [Dell.com/PowerEdge](http://Dell.com/PowerEdge).

**Table 3. Technical specifications**

Feature	PowerEdge T320 technical specification
Form factor	5U rackable tower <sup>1</sup>
Processors	Intel Xeon processor E5-2400 v2 product families Intel Xeon processor E5-1410 v2 Intel Pentium processor 1400 product family
Processor socket	1 socket
Internal interconnect	Intel DMI 2.0
Cache	2.5MB per core with core options of 2, 4, 6 or 8
Chipset	Intel C600
Memory <sup>2</sup>	Up to 192GB (6 DIMM slots): 2GB/4GB/8GB/16GB/32GB DDR3 up to 1600MT/s
PCIe slots	<b>5 PCIe slots</b> 1 x16 slot with x16 bandwidth, 3.0, full-height, full-length 1 x8 slot with x4 bandwidth, 3.0, full-height, half-length 1 x8 slot with x4 bandwidth, 2.0, full-height, half-length 1 x8 slot with x4 bandwidth, 3.0, full-height, full-length 1 x8 slot with x1 bandwidth, 2.0, full-height, full-length
RAID controller	<b>Internal controllers:</b> PERC S110 (SW RAID) PERC H310 PERC H710 PERC H710P  <b>Internal HBAs (non-RAID):</b> Internal tape adapter <b>External HBAs (RAID):</b> PERC H810 <b>External HBAs (non-RAID):</b> 6Gbps SAS HBA
Hard drives	<b>Drive bay options:</b> 4 x 3.5" cabled drive bays or 8 x 3.5" or 2.5" hot-plug drive bays or 16 x 2.5" hot-plug drive bays <b>Hot-plug hard drive options:</b> 2.5" SATA (7.2K), nearline SAS (7.2K), SAS (15K, 10K), SAS SSD, SATA SSD 3.5" SATA (7.2K), nearline SAS (7.2K), SAS (15K) Self-encrypting drives available <b>Cabled hard drive options:</b> 3.5" SATA or SAS





Feature	PowerEdge T320 technical specification
<b>Embedded NIC</b>	Broadcom® 5720 1GbE Dual Port LOM
<b>I/O adapter options</b>	<p><b>1Gb Ethernet:</b>            Broadcom 5720 Dual Port 1Gb Base-T            Broadcom 5719 Quad Port 1Gb Base-T            Intel I350 Dual Port 1Gb Base-T            Intel I350 Quad Port 1Gb Base-T</p> <p><b>FC4 HBA:</b>            QLogic QLE2460 Single Port 4Gbps            QLogic QLE2462 Dual Port 4Gbps</p>
<b>Power supply</b>	Platinum efficiency 495W or 750W power supply Silver efficiency cabled 350W power supply Auto-ranging power supplies
<b>Availability</b>	Optional high-efficiency, hot-plug redundant power supplies; hot-plug hard drives; TPM; dual internal SD support; redundant fans; optional bezel; information tag; ECC memory; interactive LCD screen; extended power range; ENERGY STAR® compliant
<b>Dell OpenManage Systems Management (Agent-free or with OpenManage Server Administrator [OMSA] Agent)</b>	<ul style="list-style-type: none"> <li>• OpenManage Essentials</li> <li>• OMSA Agent</li> <li>• OpenManage Power Center (requires iDRAC7 Enterprise with Lifecycle Controller)</li> <li>• OpenManage Integrations and Connections:               <ul style="list-style-type: none"> <li>— OpenManage Integration Suite for Microsoft System Center</li> <li>— OpenManage Integration for VMware vCenter™</li> <li>— Connections for HP® Operations Manager, IBM® Tivoli® Netcool® and CA Network and Systems Management</li> </ul> </li> </ul> <p>Basic management (standard option)</p> <ul style="list-style-type: none"> <li>— Upgrade to iDRAC7 (Express or Enterprise) with Lifecycle Controller</li> <li>— Upgrade to 8GB vFlash media or 16GB vFlash media for iDRAC7 Enterprise with Lifecycle Controller</li> <li>— Trial evaluations available for iDRAC7 (Express and Enterprise) with Lifecycle Controller</li> </ul>
<b>Rack support</b>	ReadyRails™ II sliding rails for tool-less mounting in 4-post racks with square or unthreaded round holes or tooled mounting in 4-post threaded hole racks, with support for optional tool-less cable management arm
<b>Operating systems</b>	Microsoft Windows Server 2012 R2 (includes Hyper-V) Microsoft Windows Server 2012 Essentials Microsoft Windows Server 2008 R2 SP1, x64 (includes Hyper-V) Microsoft Windows Small Business Server 2011 Novell® SUSE® Linux Enterprise Server Red Hat® Enterprise Linux®
	<p><b>Optional embedded hypervisors:</b>            Citrix® XenServer®            VMware vSphere including ESXi            Red Hat Enterprise Virtualization®</p> <p>For more information on the specific versions and additions, visit <a href="http://Dell.com/OSsupport">Dell.com/OSsupport</a>.</p>



## Feature

## PowerEdge T320 technical specification

<sup>1</sup>Optional kit available for field conversion from tower to rackable unit.

<sup>2</sup>GB means 1 billion bytes and TB equals 1 trillion bytes; actual capacity varies with preloaded material and operating environment and will be less.



### 3 Chassis views and features

The Dell PowerEdge T320 is a 5U, one-socket, rackable tower server. For additional system views and features, see the *Dell PowerEdge T320 Systems Owner's Manual* on [Dell.com/Support/Manuals](http://Dell.com/Support/Manuals).

#### Chassis views

Table 4 lists the possible chassis configurations available for the T320.

**Table 4. Chassis configurations**

Number of drive bays	Drive types	Controller	Front control panel	Power supply	Rack option
<b>4 cabled drive bays</b>	3.5" SATA and SAS HDD	PERC S110, H310, H710, H710P	LED	Cabled 350W	No
<b>8 hot-plug drive bays</b>	3.5" SATA and SAS HDD 2.5" SAS SSD	PERC S110, H310, H710, H710P	LCD	Cabled 350W or hot-plug 495W, 750W	Yes
<b>16 hot-plug drive bays</b>	2.5" SATA and SAS SSD/HDD	PERC H310, H710, H710P	LCD	Hot-plug 495W, 750W	Yes

Figure 1 shows the features on the front of the T320 16-drive bay chassis with the front control panel, USB connectors, and many other components and features described in this guide.

**Figure 1. Front view 16-drive bay without bezel**



Figure 2 shows the optional lockable bezel on the front of the T320 chassis.

**Figure 2. Front view with bezel**



Figure 3 shows the features on the back panel of the T320 including USB connectors, Ethernet connectors, serial connector, video connector, PCIe slots, power supplies, iDRAC dedicated port and many other components and features described in this guide.

**Figure 3. Back view**



The chassis design of the T320 is optimized for easy access to components and for airflow for effective and efficient cooling. Figure 4 provides an internal view of the T320 including the DIMMs, PCIe card slots, power supplies, fans and processors.

**Figure 4. Internal view**



Figure 5 shows the front view of the rackable T320 chassis without a bezel.

**Figure 5. Rackable front view without bezel**



## Chassis features

Table 5 lists the various features on the T320. For additional information, see the *Dell PowerEdge T320 Systems Owner's Manual* on [Dell.com/Support/Manuals](http://Dell.com/Support/Manuals).

**Table 5. Chassis features**

Feature	Description
<b>Power button</b>	ACPI-compliant power button with an integrated green power LED
<b>Front bezel</b>	Covers the system's front-loading hard drives and locks for security
<b>NMI button</b>	Used to troubleshoot software and device driver errors; use only if directed to do so by qualified support personnel or by the operating system's documentation
<b>System identification button</b>	Buttons on the back and front of a system to help identify the unit in a data center environment
<b>Hard drives</b>	Up to 16 2.5-inch drives
<b>USB connectors</b>	Connects USB devices to the server
<b>Information tag</b>	Slide-out label panel for recording system information
<b>Video connector</b>	Connects a monitor to the server; one port on the back of the tower chassis or a port on both the front and back of the rack chassis
<b>LCD panel and buttons</b>	Displays system ID, status information and system error messages; two navigation buttons on the hot-plug chassis to scroll through the menu on the LCD and one select button
<b>Optical drive</b>	Optional half-height DVD or DVD+RW drive
<b>Power supply units</b>	Supplies power to the server
<b>Power supply indicators</b>	Indicates whether server has power
<b>NIC indicators</b>	Indicates network activity and status
<b>PCIe slots</b>	Connects PCIe expansion cards to the server
<b>Ethernet connectors</b>	Connects integrated 10/100/1000 NICs to the server
<b>Serial connector</b>	Connects a serial device to the server
<b>iDRAC7 Enterprise port</b>	Dedicated management port for optional iDRAC Ports card



## Front control panel

Figure 6 shows the T320 control panel, located on the front of the chassis. For more information about the LCD control panel, see the *Dell PowerEdge T320 Systems Owner's Manual* on [Dell.com/Support/Manuals](http://Dell.com/Support/Manuals).

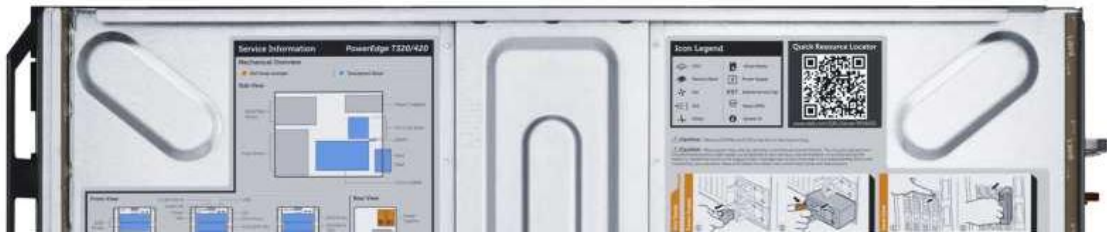
**Figure 6. LCD control panel**



## Quick Resource Locator

Each Dell PowerEdge 12<sup>th</sup>-generation server offers a Quick Resource Locator (QRL) — a model-specific Quick Response (QR) code that is located inside the chassis cover (see Figure 7). Use your smartphone to access the Dell QRL app to learn more about the server.

**Figure 7. QRL location**



This QRL code allows you to:

- View step-by-step videos, including overviews of system internals and externals, as well as detailed, concise, task-oriented videos and installation wizards
- Locate reference materials, including searchable owner's manual content, LCD diagnostics and an electrical overview
- Look up your service tag so you can quickly gain access to your specific hardware configuration info and warranty information
- Contact Dell directly (by link) to get in touch with technical support and sales teams and provide feedback to Dell

These codes provide an easy way to retrieve the critical support information you need when you need it, making you more efficient and effective in managing your hardware.

## Security features

The latest generation of PowerEdge servers has the features listed in Table 6 to help ensure the security of your data center.

**Table 6. Security features**

Security feature	Description
<b>Cover latch</b>	A tooled latch is integrated on the chassis (top of rack chassis or side of tower chassis) with a coin key lock to secure the system.
<b>Bezel</b>	An optional metal bezel is mounted to the chassis front to provide the Dell ID. A lock on the bezel is used to protect unauthorized access to hard drives. System status is viewable on the LCD screen when the bezel is installed.
<b>TPM</b>	The Trusted Platform Module (TPM) is used to generate/store keys, protect/authenticate passwords, and create/store digital certificates. It also supports the Intel Xeon TXT functionality. TPM can also be used to enable the BitLocker™ hard drive encryption feature in Windows Server 2008. TPM 1.2 is supported. No TPM version is available for China or Russia.
<b>Power-off security</b>	BIOS has the ability to disable the power button function.
<b>Intrusion alert</b>	An internal switch is used to detect chassis intrusion.
<b>Secure mode</b>	BIOS has the ability to enter a secure boot mode through system setup. This mode includes the option to lock out the power and NMI switches on the control panel or set up a system password.





## 4 Processor

The Dell PowerEdge T320 features a variety of Intel processor options. The Intel Xeon processor E5-2400 v2 product family offers an ideal combination of performance, dependability and cost. These processors provide substantial performance and capacity for entry and mainstream workloads. In addition to providing raw performance gains, improved I/O is also made possible with Intel Integrated I/O, which can reduce latency by adding more lanes and doubling bandwidth. This helps to reduce network and storage bottlenecks, unleashing the processor's performance capabilities.

In addition to the Intel Xeon processor E5-2400 v2 product family, the T320 also supports the Intel Xeon E5-1410, which provide a balance of performance, value, and advanced features, and the Intel Pentium processor 1400 product family, which is cost-efficient and provides the basic features.

### Processor features

The Intel Xeon processor E5-2400 v2 product family offers:

- Up to eight execution cores per processor
- Intel Hyper-Threading technology for up to 16 computational threads
- Micro-architecture on 32 nm process for greater performance per watt
- Support for up to six DIMM slots, up to 32GB DIMMs for a total possible memory capacity of 192GB
- Integrated memory controller with three channels of DDR3 and 46-bit physical addressing facilitate greater memory capacity
- Intel Integrated I/O support for up to 24 lanes of PCIe 3.0 links
- Faster connections throughout the system with support for DDR3 1600MT/s memory and 8.0GT/s QPI
- Intel Data Direct I/O (DDIO) allows I/O traffic to skip the main system memory and be directed straight to the processor cache, which can provide a significant reduction in latency as well as allowing memory to remain in a low-power state
- High bandwidth, low latency, bidirectional ring interconnect allows faster access to the 20MB multi-banked last level cache
- Intel Advanced Vector Extensions offer up to double the floating point operations per clock cycle by doubling the length of registers, which can be useful for addressing very complex problems or dealing with large-number calculations, which are integral to many technical, financial and scientific computing problems
- Intel Turbo Boost Technology 2.0, which allows processor cores to run faster than the base operating frequency if it's operating below power, current and temperature specification limits, delivers up to double the boost than the previous generation
- Continued improvements to both Intel TXT and AES-NI help to better protect systems and data

### Supported processors

Table 7 lists the Intel Xeon processors supported by the PowerEdge T320. For the latest information on supported processors, visit [Dell.com/PowerEdge](http://Dell.com/PowerEdge).



**Table 7. Supported processors**

Model	Speed	TDP	Cache	Cores/ threads	Max memory speed	Turbo
<b>Xeon E5-2470 v2</b>	2.4GHz	95W	25MB	10/20	1600MT/s	Yes
<b>Xeon E5-2440 v2</b>	1.9GHz	80W	20MB	8/16	1333MT/s	Yes
<b>Xeon E5-2430L v2</b>	2.4GHz	60W	15MB	6/12	1333MT/s	Yes
<b>Xeon E5-2430 v2</b>	2.5GHz	80W	15MB	6/12	1333MT/s	Yes
<b>Xeon E5-2420 v2</b>	2.2GHz	80W	15MB	6/12	1333MT/s	Yes
<b>Xeon E5-1410 v2</b>	2.8GHz	80W	10MB	4/8	1333MT/s	Yes
<b>Xeon E5-2407 v2</b>	2.4GHz	80W	10MB	4/4	1066MT/s	N/A
<b>Xeon E5-2403 v2</b>	1.8GHz	80W	10MB	4/4	1066MT/s	N/A
<b>Pentium 1403 v2</b>	2.6GHz	80W	6MB	4/4	1333MT/s	N/A

For more information supported Intel processors, visit [Intel.com](http://Intel.com). For information on processor installation and configuration, see the *Dell PowerEdge T320 Systems Owner's Manual* on [Dell.com/Support/Manuals](http://Dell.com/Support/Manuals).

## GPU support

The T320 supports GPU technology, providing accelerated performance for a variety of applications including VDI and medical imaging.

### GPU cards

The T320 supports one nVidia® Q4000 full-length, single-width or one nVidia Q6000 full-length, double-width GPU. GPU cards are available through certified factory installation (CFI) or field upgrade only.

Each GPU supports up to 6GB of dedicated GDDR5 memory and is actively cooled. Each GPU has one or two power connectors to meet the high demand for power delivery. The power connectors are located on the back of the card.

### GPU configuration options

The GPUs from nVidia have PCIe 2.0 interfaces and can be installed in the T320 PCIe x16 3.0 slots. The interface for the next-generation GPU cards will be PCIe 3.0.

The following system configuration restrictions apply when a GPU is installed:

- 750W redundant power supply is recommended
- System can support only one 5.25-inch device

### Operating system support for GPUs

Some operating systems have not been validated to support GPUs. See Table 20 for more information on operating system support of GPUs.

## Chipset

The Intel C600 chipset is implemented on the PowerEdge T320. For more information, visit [Intel.com](http://Intel.com).



## 5 Memory

More options are available for Dell PowerEdge 12<sup>th</sup> generation servers than in previous generations – more capacity choices and more frequency choices. The PowerEdge T320 supports up to 192GB of memory with speeds of up to 1600MT/s, providing high performance in a variety of applications. The new reliability, availability, serviceability (RAS) features like memory mirroring and sparing help you increase your uptime and reduce data loss. RAS aids in the rapid and accurate diagnosis of faults that require service, increasing your memory reliability.

### Supported memory

The T320 supports the memory technologies shown in Table 8.

**Table 8. Memory technologies supported**

Feature	UDIMM	RDIMM
Register	No	Yes
Buffer	No	No
Frequencies*	1600MT/s	1333 or 1600MT/s
Ranks supported	1 or 2	1, 2 or 4
Capacity per DIMM	2 or 4GB	2, 4, 8, 16 or 32GB
Maximum DIMMs per channel	2	2
DRAM technology	x8	x4 or x8
Temperature sensor	Yes	Yes
Error Correction Code (ECC)	Yes	Yes
Single Device Disable Code (SDDC)	Yes (with advanced ECC mode)	Yes
Address parity	Yes	Yes

\*Although the T320 supports DIMM speeds lower than 1600MT/s, you can only purchase this system with DIMM speeds of 1333MT/s and 1600MT/s on [Dell.com/PowerEdge](https://Dell.com/PowerEdge).



The T320 supports the DIMMs listed in Table 9. For the latest information on supported memory, visit [Dell.com/PowerEdge](http://Dell.com/PowerEdge).

**Table 9. DIMMs supported**

Capacity (GB)	Speed (MT/s)	Type	Ranks per DIMM	Data width	SDDC support	Voltage
2	1600	UDIMM	1	x8	Advanced ECC	1.35
2	1600	RDIMM	1	x8	Advanced ECC	1.35
4	1600	RDIMM	2	x8	Advanced ECC	1.35
4	1600	UDIMM	1	x8	Advanced ECC	1.35
4	1600	UDIMM	2	x8	Advanced ECC	1.35
4	1600	RDIMM	1	x8	Advanced ECC	1.35
8	1600	RDIMM	1	x4	All modes	1.35
8	1600	RDIMM	2	x4	All modes	1.35
16	1600	RDIMM	2	x4	All modes	1.35
16	1600	RDIMM	2	x4	All modes	1.35
32	1333	RDIMM	4	x4	All modes	1.35

## Memory configurations

Flexible memory configurations are supported on the T320, ranging from capacities of 2GB to 192GB. The system supports up to six DIMMs. The T320 has three memory channels per processor, with each channel supporting up to two DIMMs.

The T320 supports a flexible memory configuration according to these basic rules:

- Speed: If DIMMs of different speeds are mixed, all channels across all processors operate at the slowest DIMM's common frequency.
- DIMM type: Only one type of DIMM can be used in a system. UDIMMs and RDIMMs cannot be mixed.

The following additional memory population guidelines apply to the T320:

- Up to two quad-rank (QR), dual-rank (DR), or single-rank (SR) DIMMs may be populated per channel.
- DIMMs must be installed in each channel, starting with the DIMM farthest from the processor.
- DIMMs should be installed from largest rank count to smallest. For example, if DR DIMMs are mixed with SR DIMMs, DR DIMMs should be placed in the lowest DIMM slots, followed by the SR DIMMs.

For more information on memory configuration, see the *Dell PowerEdge T320 Systems Owner's Manual* on [Dell.com/Support/Manuals](http://Dell.com/Support/Manuals).

## Memory speed

The T320 supports memory speeds of up to 1600MT/s, depending on the DIMM types installed and the configuration. The loading within a channel significantly affects memory speed.

Table 10 illustrates the maximum achievable speed of the Intel Xeon E5-2400 v2 product family based on memory loads.

- Green boxes are defaults for performance per watt



- White boxes (with lower voltage) can save power but will run at slower speeds
- White boxes (with higher voltage) can be custom configured in the bios

**Table 10. Memory speed capabilities**

DIMM type	DIMM rank	DIMM-rated voltage and speed	Intel Xeon processor E5-2400 v2 product family DIMMs per channel (DPC)			
			1 DPC		2 DPC	
			1.35V	1.5V	1.35V	1.5V
<b>RDIMM</b>	1R/2R	DDR3L (1.5V) 1600MT/s	<b>1600</b>	1600	<b>1600</b>	1600
<b>RDIMM</b>	1R/2R	DDR3L (1.35V/1.5V) 1333 MT/s	<b>1333</b>	1333	<b>1333</b>	1333
<b>UDIMM</b>	1R/2R	DDR3L (1.35V/1.5V) 1600	<b>1600</b>	1600	<b>1600</b>	1600
<b>RDIMM</b>	4R	DDR3L (1.35V/1.5V) 1333MT/s	1066	<b>1333</b>	<b>1066</b>	1066
<b>LRDIMM</b>	4R	DDR3L (1.35V/1.5V) 1333MT/s				

## Memory RAS features

RAS features help keep the system online and operational without significant impact to performance, and can decrease data loss and crashing due to errors. RAS aids in rapid, accurate diagnosis of faults that require service. Table 11 describes the RAS features supported on the T320.

**Table 11. Memory RAS features**

Feature	Description
<b>Dense configuration optimized profile</b>	Increased memory reliability can result from this selectable platform profile that adjusts parameters to reduce faults regarding refresh rates, speed, temperature and voltage.
<b>Memory demand and patrol scrubbing</b>	Demand scrubbing is the ability to write corrected data back to the memory once a correctable error is detected on a read transaction. Patrol scrubbing proactively searches the system memory, repairing correctable errors.
<b>Recovery from single DRAM device failure</b>	Recovery from Single DRAM Device Failure (SDDC) provides error checking and correction that protects against any single memory chip failure as well as multi-bit errors from any portion of a single memory chip.
<b>Failed DIMM isolation</b>	This feature provides the ability to identify a specific failing DIMM channel pair, thereby enabling the user to replace only the failed DIMM pair.
<b>Memory mirroring: intra-socket</b>	Memory mirroring is a method of keeping a duplicate (secondary or mirrored) copy of the contents of memory as a redundant backup for use if the primary



Feature	Description
	memory fails. The mirrored copy of the memory is stored in memory of the same processor socket.
<b>Memory address parity protection</b>	This feature provides the ability to detect transient errors on the address lines of the DDR channel.
<b>Memory sparing (rank)</b>	Memory sparing allocates one rank per channel as a spare. If excessive correctable errors occur in a rank or channel, it is moved to the spare area while the operating system is running to prevent the error from causing an uncorrectable failure.
<b>Memory thermal throttling</b>	This feature helps to optimize power/performance and can also be used to prevent DIMMs from overheating.

For information on memory mirroring and sparing configurations, see the *Dell PowerEdge T320 Systems Owner's Manual* on [Dell.com/Support/Manuals](http://Dell.com/Support/Manuals).



## 6 Storage

The Dell PowerEdge T320 supports internal and external storage options and controllers, different drive types, and different chassis configurations for a varied number of drives.

### Internal storage

The T320 has one chassis that supports three different drive bay options:

- 4 x 3.5-inch cabled drive bays
- 8 x 2.5-inch or 3.5-inch hot-plug drive bays
- 16 x 2.5-inch hot-plug drive bays

### Supported hard drives

The T320 supports up to sixteen 2.5-inch or eight 3.5-inch hard drives or solid-state drives. Self-encrypting drives (SEDs) are available. Table 12 lists more information about these drives. For additional information, see [Dell.com/PowerEdge](http://Dell.com/PowerEdge).

**Table 12. Supported hard drives**

Form factor	Type	Speed (rpm)	Capacities
2.5"	Nearline SAS	7.2K	500GB, 1TB
	SAS	10K	300GB, 600GB, 900GB, 1.2TB
	SAS	15K	146GB, 300GB
	SAS SSD	N/A	200GB, 400GB
	SATA SSD	N/A	100GB, 160GB, 200GB, 300GB, 400GB, 480GB, 800GB
	SATA	7.2K	250GB, 500GB, 1TB
3.5"	SATA	7.2K	500GB, 1TB, 2TB, 3TB, 4TB
	Nearline SAS	7.2K	1TB, 2TB, 3TB, 4TB
	SAS	15K	300GB, 600GB

### External storage

External storage for the T320 is available through SAS 6Gbps. For more information, see [Dell.com/Storage](http://Dell.com/Storage).



## Storage controllers

Dell provides highly capable RAID options for you to ensure that your data remains safe. Dell's RAID controller options offer impressive performance improvements, including the following features:

- FastPath™ I/O: This feature can help accelerate performance when operating on SSDs.
- Split mirror: This function allows you to break a mirrored disk connection in order to quickly replace a drive.
- Physical disk power management (Dimmer Switch™): This feature allows for power control of spare or idle drives, which can save energy and operating expenses.

### Supported RAID controllers

The newest line of PERC (PowerEdge RAID Controller) cards offer high I/O performance for database applications and streaming digital media environments. The internal RAID controllers have a dedicated connection to the system board. The T320 supports the new PERC 8 family of controllers with improved functionality and faster performance.

The T320 supports the adapter-type PERC and the new software RAID solution that supports RAID 0, 1, 5 and 10 as shown in Table 13. For more information about the latest PERC offerings, see [Dell.com/PERC](http://Dell.com/PERC).

**Table 13. Supported RAID controllers**

Controller	Description	Features	RAID modes supported	Form factor	Usage model
<b>PERC H810</b> External	Eight-port, external and 6Gbps PCIe RAID controller	Includes 1GB NV DDR3 cache, premium performance and feature set, security SED/EKMS, and SSD as cache	0, 1, 10, 5, 50, 6, 60	Adapter	Premium performance
<b>PERC H710P</b> Internal	Eight-port, internal 6Gbps PCIe RAID controller	Includes 1GB NV DDR3 cache, premium performance and feature set, security SED/EKMS, and SSD as cache	0, 1, 10, 5, 50, 6, 60	Adapter	Premium performance
<b>PERC H710</b> Internal	Eight-port, internal 6Gbps PCIe RAID controller	Includes 512MB NV DDR3 cache, advanced feature set, security SED/EKMS	0, 1, 10, 5, 50, 6, 60	Adapter	Performance
<b>PERC H310</b> Internal	Eight-port, internal 6Gbps PCIe RAID	Supports hot-plug drives, expansion, pass-through	0, 1, 10, 5, 50	Adapter	Value
<b>PERC S110</b> Software RAID	3Gbps SATA software RAID controller that supports up to 4 physical disks or 8 virtual disks	Supports hot-plug SATA drives (four drive maximum); no expansion; Microsoft Windows only	0, 1, 5, 10	System board-embedded SATA	Entry-level





## Optical drive

The T320 hot-plug chassis supports up to three media bays through one of the following options:

- Up to two SATA half-height DVD-ROM or DVD R/W drive + one SAS interface tape drive
- Up to one SATA half-height DVD-ROM or DVD R/W drive + one internal RD1000 drive + one SAS interface tape drive

The T320 cabled chassis supports up to two media bays through one of the following options:

- Up to two SATA half-height DVD-ROM or DVD R/W drive
- Up to one SATA half-height DVD-ROM or DVD R/W drive + one internal RD1000 drive/or SAS interface tape drive
- Up to one internal RD1000 drive + one SAS interface tape drive

## Tape drive

The T320 supports the external storage device types listed in Table 14. For additional information, visit [Dell.com/Storage](http://Dell.com/Storage).

**Table 14. Supported external storage**

Tape devices	Interface cards
LTO5-140 SAS	Internal tape adapter
LTO4-120 HH SAS	Internal tape adapter
LTO3-080 SAS	Internal tape adapter
RD1000 SATA	Onboard SATA
External SAS tape	6Gb SAS HBA
External FC tape	FC HBA
External RD1000	USB



## 7 Networking and PCIe

The Dell PowerEdge T320 offers balanced, scalable I/O capabilities, including integrated PCIe 3.0 capable expansion slots.

### Embedded NIC controller

The T320 system board has one embedded NIC controller. The Broadcom 5720 Gigabit NIC chip is connected to the platform controller hub through a PCIe 2.0 x2 link.

The Broadcom 5720 is a 14<sup>th</sup> generation 10/100/1000BASE-T Ethernet LAN controller solution suitable for high-performance server applications. The Broadcom 5720 combines dual triple-speed IEEE 802.3 compliant Media Access Controllers (MACs) with dual 10/100/1000 Ethernet transceivers (PHYs), selectable individually per port, a network controller sideband interface (NC-SI), and an on-chip memory buffer in a single device. The device provides a PCIe 2.1-compliant interface, which operates at 5GT/s or 2.5GT/s x2 link width.

### PCIe expansion

The T320 provides expanded PCIe slot capability over the previous servers. This is made possible by the 24 PCIe lanes available from the processor. Dell designed the T320 to be PCIe 3.0-compliant in order to take full advantage of the processor capabilities.

#### PCIe slots

PCIe connectivity is integrated with the processor. The T320 supports up to five PCIe slots.

#### PCIe expansion cards

The T320 supports a variety of PCIe expansion cards. Table 15 lists the supported add-in NICs and HBAs for the T320.

**Table 15. Supported NICs and HBAs**

Type	Adapter
<b>1Gb NICs</b>	Broadcom 5720 Dual Port 1Gb Base-T
	Broadcom 5719 Quad Port 1Gb Base-T
	Intel I350 Dual Port 1Gb Base-T
	Intel I350 Quad Port 1Gb Base-T
<b>FC4 HBAs</b>	QLogic® QLE2460 Single Port 4Gbps
	QLogic QLE2462 Dual Port 4Gbps

For the latest information on all supported add-in PCIe expansion cards for the T320, visit [Dell.com/PowerEdge](http://Dell.com/PowerEdge).



## 8 Power, thermal and acoustics

Lower overall system-level power draw is a result of breakthrough system design. The Dell PowerEdge T320 server maximizes performance per watt through a combination of power and cooling, energy-efficient technologies and tools. Additionally, the PowerEdge T320 has an extensive collection of sensors that automatically track thermal activity, which helps regulate temperature thereby reducing server noise and power consumption.

### Power consumption and energy efficiency

With the rise in the cost of energy coupled with increasing data center density, Dell provides tools and technologies to help you realize greater performance with less energy cost and waste. More efficient data center usage can reduce costs by slowing the need for additional center space. Table 16 lists the tools and technologies Dell offers to help you achieve your data center goals by lowering power consumption and increasing energy efficiency.

**Table 16. Power tools and technologies**

Feature	Description
<b>Power supply unit (PSU) portfolio</b> (redundant PSU only)	Dell's PSU portfolio includes intelligent features such as dynamically optimizing efficiency while maintaining availability and redundancy. Find additional information in the Power supply units section.
<b>Tools for right-sizing</b>	<b>Dell Energy Smart Solution Advisor (ESSA)</b> is a tool that helps you determine the most efficient configuration possible. With ESSA, you can calculate the power consumption of your hardware, power infrastructure, and storage. ESSA can help you determine exactly how much power your server will use at a given workload, and the PSU Advisor can help you choose the best, most efficient PSU for your workload. Learn more at <a href="http://Dell.com/ESSA">Dell.com/ESSA</a> .
<b>Industry compliance</b>	Dell's servers are compliant with all relevant industry certifications and guidelines, including 80 PLUS, Climate Savers, and ENERGY STAR.
<b>Power monitoring accuracy</b> (redundant PSU only)	PSU power monitoring improvements include: <ul style="list-style-type: none"><li>• Dell's power monitoring accuracy is currently 1%, whereas the industry standard is 5%</li><li>• More accurate reporting of power</li><li>• Better performance under a power cap</li></ul>
<b>Power capping</b> (redundant PSU only)	Use Dell's systems management to set the power cap limit for your systems to limit the output of a PSU and reduce system power consumption. Dell is the first hardware vendor to leverage Intel Node Manager for circuit-breaker fast capping.
<b>Systems management</b> (redundant PSU only)	<b>iDRAC7 Enterprise</b> provides server-level management that monitors, reports, and controls power consumption at the processor, memory, and system level. <b>Dell OpenManage Power Center</b> delivers group power management at the rack, row, and data center level for servers, power distribution units, and uninterruptible power supplies.



Feature	Description
<b>Active power management</b> (redundant PSU only)	<p><b>Intel Node Manager</b> is an embedded technology that provides individual server-level power reporting and power limiting functionality. Dell offers a complete power management solution comprised of Intel Node Manager accessed through Dell iDRAC Enterprise and OpenManage Power Center that allows policy-based management of power and thermals at the individual server, rack, and data center level.</p> <p><b>Hot spare</b> reduces power consumption of redundant power supplies.</p> <p><b>Thermal control of fan speed</b> optimizes the thermal settings for your environment to reduce fan consumption and lower system power consumption.</p> <p><b>Idle power</b> enables Dell servers to run as efficiently when idle as when at full workload.</p>
<b>Fresh Air cooling</b> (redundant PSU only)	<p>With the thermal design and reliability of Dell products, certain configurations have the capability to operate at excursion-based temperatures beyond the industry standard of 35°C (95°F) up to 45°C (113°F) for excursionary periods of time and up to a 26°C dew point at 90% relative humidity; without impacting your availability model. Find additional information at <a href="http://Dell.com/FreshAir">Dell.com/FreshAir</a>.</p>
<b>Rack infrastructure</b>	<p>Dell offers some of the industry's highest-efficiency power infrastructure solutions, including:</p> <ul style="list-style-type: none"> <li>• <a href="#">Power distribution units</a></li> <li>• <a href="#">Uninterruptible power supplies</a></li> <li>• <a href="#">Energy Smart containment rack enclosures</a></li> </ul> <p>Find additional information at <a href="http://content.dell.com/us/en/enterprise/power-and-cooling-technologies-components-rack-infrastructure.aspx">content.dell.com/us/en/enterprise/power-and-cooling-technologies-components-rack-infrastructure.aspx</a>.</p>

Find additional information at [Dell.com/PowerAndCooling](http://Dell.com/PowerAndCooling) and [Power.com/PowerCenter](http://Power.com/PowerCenter).

## Power supply units

Energy Smart power supplies (redundant power supplies only) have intelligent features, such as the ability to dynamically optimize efficiency while maintaining availability and redundancy. Also featured are enhanced power-consumption reduction technologies, such as high-efficiency power conversion and advanced thermal-management techniques, and embedded power-management features, including high-accuracy power monitoring.

The T320 power supply subsystem consists of a single, cabled power supply or up to two AC-DC redundant power supplies. The following power supply options are available for the T320:

- 350W AC, cabled, non-redundant
- 495W AC, hot-plug redundant
- 750W AC, hot-plug redundant



Figure 8 shows a 750W power supply unit extended from the T320 chassis.

**Figure 8. 750W power supply unit**



The PowerEdge T320 supports up to two PSUs with 1+1 redundancy, auto-sensing and auto-switching capability. The T320 also supports PSU 2+0 configurations for configurations that exceed the output of a single PSU; in this case, 1+1 redundancy is not supported. Use the Dell Energy Smart Solution Advisor at [Dell.com/ESSA](http://Dell.com/ESSA) to help you configure your system optimal power performance. Dell PSUs have achieved Platinum efficiency levels as shown in Table 17.

**Table 17. Power supply efficiency**

Form factor	Output	Class	Efficiency targets by load			
			10%	20%	50%	100%
Redundant 86 mm	495W AC	Platinum	82.0%	90.0%	94.0%	91.0%
	750W AC	Platinum	82.0%	90.0%	94.0%	91.0%
Non-redundant	350W AC	Silver	N/A	85.0%	88.0%	85.0%

See Table 26 for power supply specifications for the PowerEdge T320.

## Thermal and acoustics

Optimized thermal management makes the PowerEdge T320 cool and quiet. Benefiting from smart cooling fan speed control, the T320 can keep both high performance and good acoustics across a wide range of ambient temperatures from 10°C to 35°C (50°F to 95°F) and to extended ambient temperature ranges (see Table 27). Operating environments for the T320 can vary from the data center to general-use spaces. In a typical configuration, the T320 is suitable for an open office environment.



## Thermal design

The thermal design of the PowerEdge T320 reflects the following:

- **Multiple sensors are monitored for thermal feedback control:** The PowerEdge T320 dynamically controls system cooling fan speed based on responses from component temperature sensors, including processors, hard disk drives, DIMMs, storage cards and the inlet ambient temperature. Thermal control detects and responds to hardware configuration. Thermal management adjusts cooling according to what the system really needs, draws lower fan power and generates lower acoustical noise levels than servers without such controls.
- **Environmental specifications:** The optimized thermal management makes the T320 reliable under a wide range of operating environments as shown in the environmental specifications in Table 27. Many configurations are also compliant under expanded operating temperature environments, but a few are not.

## Acoustical design

The acoustical design of the PowerEdge T320 reflects the following:

- **Quiet library acoustics:** The PowerEdge T320 is quiet enough for an office setting when minimally configured and for the office under the desk with a typical configuration.
- **Adherence to Dell's high sound quality standards:** Sound quality is different from sound power level and sound pressure level in that it describes how humans respond to annoyances in sound, like whistles, hums and so on. One of the sound quality metrics in the Dell specification is prominence ratio of a tone, which is listed in Table 18.
- **Configurable for low acoustics:** The following are configuration considerations you should make if acoustics are important to you:
  - **Storage devices:**
    - > Because hard drive noise scales with spindle speed, the quietest option for rotational storage media is a 7200-rpm SATA drive. The loudest option is a 15k SAS drive.
    - > Solid-state drives are even quieter than rotational drives because they have no sound associated with spinning.
    - > Noise levels increase with the quantity of hard drives; using fewer hard drives has a lower acoustical output.
  - **Impact of cards:**
    - > Quantity of PCIe cards: When more than two PCIe cards are installed, the system fan speed/noise level is higher.
    - > Types of PCIe cards: The fan speed/noise level will be higher if a GPU and PERC H710 are installed.
  - **System profile settings in BIOS and thermal settings in iDRAC7:** Performance Per Watt is the quietest option. Other options such as Performance Optimized or Dense Configuration require higher fan speeds, which produce higher acoustic levels.
  - **Hot spare feature of power supply unit:** In system default setting, the hot spare feature is disabled; acoustical output from the power supplies is lowest in this setting. If the feature is enabled and the system power loading is low, the power supply fan speed, hence noise will be higher.
  - **RAID setup with PERC H310:** A system configured as non-RAID has a higher noise level than a system configured as RAID. With non-RAID, the temperature of the hard disk drives is not monitored, which causes the fan speed to be higher to ensure sufficient cooling resulting in higher noise level.



- **Noise ramp and descent during bootup from power off:** Fan speed noise levels ramp during the boot process (from power off to power on) to add a layer of protection for component cooling in case the system does not boot properly. To keep the bootup process as quiet as possible, the fan speed reached during bootup is limited to about half of full speed.

Table 18 details the acoustical performance for the T320.

**Table 18. Acoustical performance**

Configuration (23 ± 2°C ambient)	CPU	Hard drives	Power supply unit	Memory	PCI card/HDD controller	Operating mode	L <sub>WA</sub> -UL <sup>1</sup> (bels)	L <sub>pA</sub> <sup>2</sup> (dBA)	Prominent tones <sup>3</sup>
<b>Typical</b>	1	4 x 3.5" SATA (7.2K)	2 x 495W	4 x 4GB	1 x 10Gb NIC	Idle <sup>4</sup>	3.8	30	None
					1 x PERC H310	Stress <sup>5</sup>	3.8	31	
<b>Feature rich</b>	1	8 x 2.5" SAS (10K)	2 x 750W	6 x 8GB	1 x 10Gb NIC	Idle <sup>4</sup>	4.9	38	Yes, by hard drive at stress
					1 x PERC H310 1 x 225W GPU	Stress <sup>5</sup>	4.9	38	

<sup>1</sup>L<sub>WA</sub>-UL is the upper limit sound power levels (L<sub>WA</sub>) calculated per section 4.4.1 of ISO 9296 (1988) and measured in accordance to ISO 7779 (2010).

<sup>2</sup>L<sub>pA</sub> is the average bystander position A-weighted sound pressure level calculated per section 4.3 of ISO 9296 (1988) and measured in accordance with ISO 7779 (2010). The system is placed within a rack enclosure (base of system is 75 cm above floor).

<sup>3</sup>Prominent tone: Criteria of D.6 and D.11 of ECMA-74 11th ed. (2010) are followed to determine if discrete tones are prominent. The system is placed in center of ISO 7779 table and binaural head is at front operator position, reference ISO 7779 (2010) Section 8.6.1, position P4.

<sup>4</sup>Idle: Reference ISO 7779 (2010) definition 3.1.7; system is running in its operating system but no other specific activity.

<sup>5</sup>Stress: An operating mode per ISO 7779 (2010) definition 3.1.6. The software MemBW4 is activated to stress the processors.

For more information on Dell's acoustical design, see the [Dell Enterprise Acoustics](#) white paper.



## 9 Rack rails and cable management

The sliding rail system for the Dell PowerEdge T320 provides tool-less support for four-post racks with square or unthreaded round mounting holes. Compared to the T610 sliding rails that required the use of adapter brackets, the sliding rails for the T320 now offer support for threaded hole racks with the ReadyRails II mounting interface.

### Sliding rails

The ReadyRails II sliding rails for the T320 support tool-less mounting in 19"-wide, EIA-310-E compliant square hole and unthreaded round hole four-post racks. The rails also support tooled mounting in threaded hole four-post racks and are available with or without the optional cable management arm (CMA).

The rails ship in the tool-less mounting configuration, but can be easily converted to the tooled configuration. The optional CMA can be mounted on either the left or right side of the sliding rails without the use of tools for fast and easy deployment. The T320 is backward compatible with the T610 rails and CMA. The T320 supports sliding rails only. Static rails are not supported. Mounting in two-post racks is not supported. Figure 9 shows the sliding rails with the CMA.

**Figure 9. Sliding rails with optional CMA**

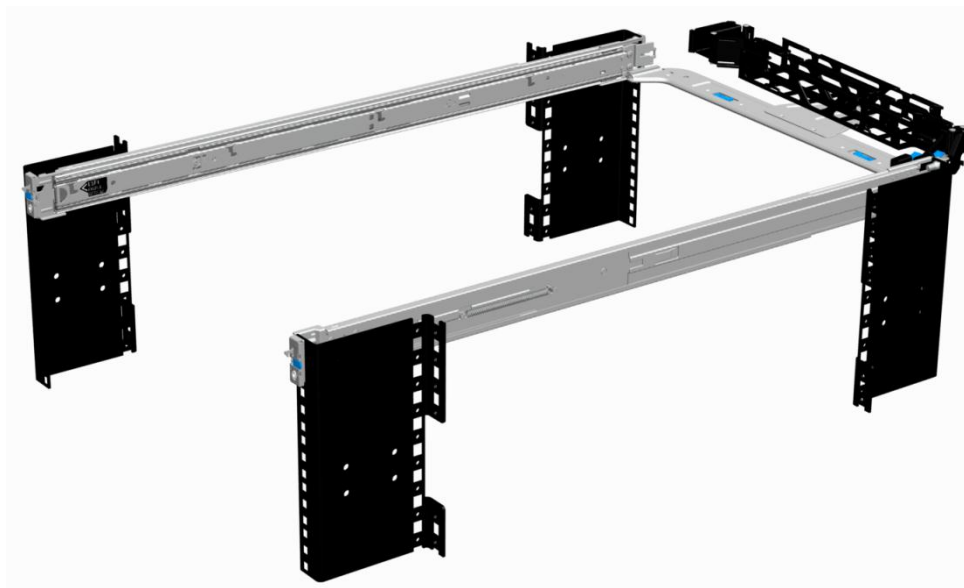




Table 19 lists the supported rack types for the T320.

**Table 19. Supported rack types**

Product	Rail identifier	Mounting interface	Rail type	Rack types supported				
				4-post			2-post	
				Square	Round	Thread	Flush	Center
<b>T320</b>	C2	ReadyRails II	Sliding	✓	✓	✓	X	X

Screws are not included in the kit due to the fact that threaded racks are offered with a variety of thread designations. Other factors to consider when deploying the T320 include the spacing between the front and rear mounting flanges of the rack, the type and location of any equipment mounted in the back of the rack such as power distribution units (PDUs), and the overall depth of the rack.

## For detailed information about sliding rails, see the

Rack rail specifications in Appendix A. For more information on installing the T320 in a rack, see the *Rack Installation Instructions* on [Dell.com/Support/Manuals](https://Dell.com/Support/Manuals).

## Cable management arm

The optional CMA organizes and secures the cords and cables exiting the back of the server and unfolds to allow the server to extend out of the rack without having to detach the cables. Some key features of the T320 CMA include:

- Large U-shaped baskets to support dense cable loads
- Open vent pattern for optimal airflow
- Ability to be mounted on either side
- Use of hook-and-loop straps rather than plastic tie wraps to eliminate the risk of cable damage during cycling
- Low-profile fixed tray to both support and retain the CMA in its fully closed position
- Ability to mount the CMA and tray without the use of tools, due to snap-in designs



## 10 Operating systems and virtualization

The Dell PowerEdge T320 supports a wide range of industry-standard operating systems and virtualization software.

### Supported operating systems

Table 20 lists the primary operating systems supported on the T320. For the latest information on supported operating systems, see [Dell.com/OSsupport](http://Dell.com/OSsupport).

**Table 20. Supported operating systems**

Operating system	Platform	Edition
Red Hat Enterprise Linux 5.8 SP8	x32 x64	N/A
Red Hat Enterprise Linux 6.3 SP2	x64	N/A
SUSE Linux Enterprise Server 11 SP2	x64	N/A
SUSE Linux Enterprise Server 11 SP3	X64	N/A
SUSE Linux Enterprise Server 10 SP4	x64	N/A
Microsoft Windows Server 2012 R2	x64	Essentials Standard
Microsoft Windows Server 2012	X64	Essentials Standard
Microsoft Windows Small Business Server 2011 <sup>1</sup>	x64	Standard Premium add-on
Microsoft Windows Server 2008 R2 with SP1	x64 (with Hyper-V role enabled)	Web Standard Enterprise

<sup>1</sup>Not validated for use with GPUs.

### Supported virtualization

One of the key features for virtualization on the PowerEdge T320 is the support for a fail-safe hypervisor. By running a hypervisor on an optional SD card and installing a backup copy on the other mirrored SD card, you can protect against hardware failure and maximize virtualization uptime.

Table 21 highlights the virtualization support for the T320.

**Table 22. Virtualization support**

Operating systems	Install version	Factory options	Internal dual SD module install support	
VMware	vSphere v5.0	ESXi	DIB	Yes



Operating systems		Install version	Factory options	Internal dual SD module install support
	vSphere v5.0 U1	ESXi	FI/DIB	Yes
	vSphere v5.1	ESXi	FI/DIB	Yes
	vSphere v5.5	ESXi	FI/DIB	Yes
<b>Citrix</b>	XenServer v6.1	N/A	DIB	No
<b>Red Hat<sup>2</sup></b>	Enterprise Virtualization v3.1	N/A	DIB	No

FI = factory install; DIB = drop-in-box

<sup>1</sup>v4.1 U3 image is available from [Dell.com/Support](http://Dell.com/Support), either as an upgrade to v4.1 U2 or for a clean install

<sup>2</sup>No OpenManage support; drop-in-box license registration card only



# 11 Dell OpenManage systems management

Whether your IT environment consists of a few servers or a few thousand servers, Dell OpenManage systems management solutions provide comprehensive management for evolving IT environments. OpenManage is based on open standards and provides agent-based and agent-free server lifecycle management functionality for Dell PowerEdge servers. OpenManage solutions help you automate and streamline essential hardware management tasks.

The advanced management capabilities of Dell OpenManage also integrates into offerings from other popular systems management solutions that you may already use, making Dell platforms easy to manage and deploy in any IT environment. This ensures your IT services are available when your business needs them. If you have already standardized on offerings from industry leaders, such as BMC Software, Microsoft, Symantec™, VMware or other vendors, you can leverage OpenManage integration and connections developed to use with your existing systems management framework to efficiently manage Dell servers, storage, business-client PCs and network devices.

Start with a firm foundation for efficient hardware management using OpenManage tools, utilities and management consoles. OpenManage systems management solutions consist of a combination of embedded management features and software products that help you automate and simplify the entire server lifecycle: deploy, update, monitor and maintain. OpenManage solutions are innovatively designed for simplicity and ease of use to help you reduce complexity, save time, achieve efficiency, control costs and empower productivity.

## Systems management solutions

Dell systems management solutions include a wide variety of tools, products and services that enable you to leverage an existing systems management framework. As shown in Figure 10, Dell systems management solutions are centered on OpenManage server management, featuring iDRAC7 with Lifecycle Controller.

Figure 10. Dell systems management solutions



## OpenManage systems management

The Dell OpenManage systems management portfolio includes powerful hardware and software management tools and consoles. OpenManage simplifies the lifecycle of deploying, updating, monitoring and maintaining Dell PowerEdge servers.

### iDRAC7 with Lifecycle Controller

The Integrated Dell Remote Access Controller 7 (iDRAC7) with Lifecycle Controller is the heart of the second generation of Dell PowerEdge server embedded management functionality. In addition to enabling agent-free management, iDRAC7 with Lifecycle Controller provides remote access to the system — whether or not there is a functioning operating system running on the server. These embedded features improve all aspects of a typical server lifecycle. Table 23 describes the functions and benefits of iDRAC7 with Lifecycle Controller.

**Table 23. iDRAC7 with Lifecycle Controller functions and benefits**

Feature	Function	Benefit
<b>Out of band (OOB)</b>	iDRAC7 offers real-time OOB discovery, inventory, deployment monitoring, alerting and updates for servers and internal storage	Manage servers independent of the OS type or status—even if an OS is not installed
<b>Single code base</b>	All server types have the same embedded management hardware and firmware	Simplified and consistent maintenance across server platforms
<b>Dedicated GigE port (PowerEdge rack and tower systems)</b>	Gigabit Ethernet replaces 10/100 on predecessor iDRAC6	Fast throughput for better performance; compatibility with setup for switches
<b>Email alerts</b>	Simplified, informative and actionable messaging including key information on systems and components, warranty, and service tag	More detail allows IT administrators to be more efficient in diagnosing and remediating an issue; alerts include a direct, embedded URL in the email notification to further speed resolution
<b>vFlash media</b>	Enabled with iDRAC7 Enterprise	Allows for use of a non-Dell SD card
<b>Enhanced power management</b>	Integration with Intel Node Manager provides data center level power monitoring and capping (requires iDRAC7 Enterprise)	Fine tune data center power policies, capping and usage; report on historical power usage by rack, row or room using Power Center Manager (new)



Feature	Function	Benefit
<b>Electronic licensing</b>	Upgrades to iDRAC7 Express or iDRAC7 Enterprise by software licensing key and license portal (may require installation of hardware option for 200-500 series servers)	<p>If iDRAC7 Express or iDRAC7 Enterprise is ordered during initial point of sale, license key is installed. If Basic Management is ordered during initial point of sale, customer must request a license key through the Dell Licensing Portal.</p> <p>For most server models, embedded server management and electronic licensing enables feature enhancements that do not require installation of additional hardware or system downtime.</p>

### iDRAC7 feature comparison

The systems management default for the T320 is basic management with an upgrade option for iDRAC7 Express or iDRAC7 Enterprise. A detailed feature comparison of basic management, iDRAC7 Express, and iDRAC7 Enterprise is shown in Table 24.

**Table 24. Feature comparison for basic management, iDRAC7 Express, and iDRAC7 Enterprise**

Feature	Basic management	iDRAC7 Express	iDRAC7 Enterprise
Local configuration with Lifecycle Controller GUI	•	•	•
IPMI 2.0	•	•	•
Embedded diagnostics	•	•	•
Local OS install	•	•	•
Local updates	•	•	•
Driver pack	•	•	•
Shared NIC (LOM) <sup>1</sup>	•	•	•
Remote update	• <sup>2</sup>	•	•
Power control	• <sup>2</sup>	•	•
Power monitoring		•	•
Encryption		•	•
IPv6		•	•
Auto-discovery		•	•
Auto-recovery		•	•
Web GUI		•	•
Remote CLI		•	•



Feature	Basic management	iDRAC7 Express	iDRAC7 Enterprise
Local/SSH CLI		•	•
Serial redirection		•	•
Remote config		•	•
Email alerts		•	•
SNMP alerts		•	•
Comprehensive monitoring		•	•
Crash screen capture <sup>3</sup>		•	•
Dedicated NIC 1Gbps (100MB in iDRAC6)			• <sup>4</sup>
Part replacement			•
Backup and restore configurations			•
Virtual console (4 user)			•
Virtual console chat			•
Support for customer supplied SD cards for vFlash media			•
Virtual flash partitions			•
Virtual media			•
Virtual folders			•
Remote file share			•
Crash video playback			•
Boot record/playback			•
Power capping			•
Enterprise group power management			•
Directory services (AD, LDAP)			•
PK authentication			•
Two-factor authentication <sup>4</sup>			•

<sup>1</sup>Rack and tower systems only

<sup>2</sup>Feature available with IPMI, not web GUI

<sup>3</sup>Requires OMSA agent on target server

<sup>4</sup>Uses Microsoft ActiveX<sup>®</sup> on Internet Explorer<sup>®</sup> only

## Agent-based management

Most systems management solutions require pieces of software, called agents, to be installed on each node in order to be managed within the IT environment. Additionally, the same agent is often used as a local interface into the hardware health and may be accessed remotely as a management



interface, typically referred to as a one-to-one interface. For customers that continue to use agent-based solutions, Dell provides OpenManage Server Administrator.

### OpenManage Server Administrator

The Dell OpenManage Server Administrator (OMSA) agent gives you a comprehensive, one-to-one systems management solution for both local and remote servers and their storage. OMSA can help simplify single-server monitoring with a secure command-line interface (CLI) or web-based management graphical user interface (GUI). It can also be used to view system configuration, inventory, health, and performance.

### Agent-free systems management

Because Dell PowerEdge 12<sup>th</sup> generation servers include the embedded server management feature, iDRAC7 with Lifecycle Controller, in many cases there is no need to install an OpenManage systems management software agent into the operating system of a Dell PowerEdge system. This greatly simplifies and streamlines the management footprint and performance of management tasks.

## Dell OpenManage consoles

The central console in a systems management solution is often referred to as the one-to-many console. The central console provides a rapid view and insight into the overall health of all systems in the IT environment. The Dell systems management portfolio includes several powerful consoles, depending upon your needs, including the following:

- **Dell OpenManage Essentials:** OpenManage Essentials (OME) provides a comprehensive view of Dell systems, devices and components in an enterprise network. It is used to discover, inventory and monitor Dell PowerEdge servers, Compellent, EqualLogic™ and PowerVault™ storage, Dell Networking switches, and business client PCs; to update and configure Dell servers; and to create asset reports. OpenManage Essentials also communicates health status alerts for Dell servers, storage and network devices to the Dell KACE™ K1000 service desk and is available as a no-charge software download from [Dell.com/Support](http://Dell.com/Support).

## OpenManage systems management tools and utilities

Dell OpenManage systems management tools and utilities consist of the following:

- **Dell Repository Manager:** The Dell Repository Manager (RM) is a standalone GUI-based productivity tool that helps simplify the process of managing downloads and baseline BIOS, firmware and driver updates. Repository Manager can create deployment disks as well as create and manage customized repositories.
- **Dell OpenManage Server Update Utility:** The Dell Server Update Utility (SUU) is a DVD-based application for identifying and applying BIOS and firmware updates to Dell PowerEdge servers.
- **Dell OpenManage Systems Build and Update Utility:** The Dell System Build and Update Utility (SBUU) provides one-to-one and one-to-many deployment and single-server update capabilities in the pre-operating system environment.
- **Dell Update Packages:** The Dell Update Packages (DUP) are self-contained executable in a standard package format that updates a software element on Dell PowerEdge servers, such as the BIOS, drivers, firmware and other software updates.
- **Dell OpenManage Deployment Toolkit:** The Dell OpenManage Deployment Toolkit (DTK) is a CLI-based tool that includes a set of utilities for configuring and deploying Dell PowerEdge systems, and can be used to build scripted, unattended OS installations to deploy large numbers of Dell servers in a reliable fashion.





- **RACADM:** The RACADM command-line utility provides a scriptable interface that allows you to locally or remotely configure iDRAC7 with Lifecycle Controller.
- **IPMITool:** The IPMITool includes scriptable console application programs used to control and manage remote systems using IPMI version 1.5 and later protocol versions.

## Integration with third-party consoles

Dell OpenManage integrates iDRAC with Lifecycle Controller functionality with several leading third-party consoles, including Microsoft System Center, VMware vCenter and BMC Software BladeLogic and ProactiveNet Performance Management.

Microsoft System Center offers management of applications, services, physical resources, hypervisors, software defined networks, configuration and automation in a single comprehensive platform. For customers with existing investments in MS System Center, Dell offers the OpenManage Integration Suite for Microsoft System Center, a portfolio of software tools that streamline and optimize the efficiency and effectiveness of managing Dell hardware with System Center.

Dell OpenManage Integration Suite for Microsoft System Center includes:

- **Dell Server Management Pack Suite for Microsoft System Center Operations Manager (SCOM):** This suite of Dell Server Management Packs enables several functions through System Center Operations Manager, including agent-free and agent-based in-band and out-of-band discovery and monitoring of PowerEdge racks, towers, blades and VRTX systems.
- **Dell Lifecycle Controller Integration (DLCI) for Microsoft System Center Configuration Manager (SCCM):** This tool provides DLCI within SCCM to manage Dell PowerEdge servers agent-free, including auto-discovery, operating system deployment and configuration of hardware elements, (RAID, NIC, BIOS, iDRAC), OS and hypervisor agnostic updates, firmware management and system viewer utilities.
- **Dell Server Deployment Pack and Dell Hardware Update Catalogs:** Dell Server Deployment Pack automates bare-metal configuration and deployment of a variety of Microsoft Windows operating system and application versions from a central location to Dell PowerEdge servers across a network. Dell Server Update Catalogs scan and update BIOS, firmware and drivers for PowerEdge servers.
- **Dell Server PRO Management Pack with PRO-Tips for Microsoft System Center Virtual Machine Manager (SCVMM):** This pack integrates Dell PowerEdge server knowledge with Microsoft SCVMM and Operations Manager (SCOM). Dell Server PRO Management Pack provides effective management of Dell physical servers that host virtual workloads running on Microsoft Windows Server Hyper-V by monitoring the health of the host system and enabling recommendations and remedial actions (PRO-Tips) when a compromised system is identified.
- **OpenManage Integration for VMware vCenter:** This plug-in allows IT administrators to monitor, provision, and manage the physical PowerEdge server hardware and firmware from a dedicated Dell menu accessed through the VMware vCenter console. IT Administrators use the same role-based, access-control model within vCenter to combine physical and virtual server management.



- **BMC Software:** BMC offers best-in-class integration of OpenManage iDRAC with Lifecycle Controller technology within select BMC Enterprise Systems Management (ESM) portfolio products.

## OpenManage connections with third-party consoles

Dell OpenManage Connections are designed specifically for monitoring Dell server and storage platforms within infrastructures managed by HP Operations Manager, IBM Tivoli Netcool/OMNIBus or Computer Associates (CA) Network and Systems Management (NSM). OpenManage Connections improve operational efficiency and flexibility in managing Dell hardware in large heterogeneous data center environments.

- **Dell OpenManage Connection for Computer Associates Network and Systems Management:** This connection enables monitoring of PowerEdge servers and PowerVault storage arrays in environments managed by Computer Associates Network and Systems Management (CA NSM) with no installation of the CA agent required on the Dell hardware.
- **Dell OpenManage Connection for HP Operations Manager:** This connection enables several functions through HP Operations Manager, including auto-grouping, SNMP trap reception, global health monitoring and a context-sensitive launch of OpenManage Server Administrator.
- **Dell OpenManage Connection for IBM Tivoli Netcool/OMNIBus:** This connection provides event monitoring capabilities to monitor Dell PowerEdge servers and Dell EqualLogic systems. It allows event monitoring, automatic event correlation and launching device consoles from the Netcool/OMNIBus console.

## Dell server management operations

Dell OpenManage systems management automates the most essential hardware management tasks — deploy, update, monitor and maintain. Figure 11 illustrates systems management operations that are performed more efficiently, and with fewer tools, through utilization of the Dell PowerEdge embedded management feature iDRAC7 with Lifecycle Controller.



Figure 11. Systems management server lifecycle



Table 25 lists the products that are available for one-to-one and one-to-many operations, and when they are used in the server's lifecycle:

**Table 25. One-to-one and one-to-many operations**

Operation	One-to-one	One-to-many
<b>Deploy</b>	<ul style="list-style-type: none"> <li>IDRAC7 with Lifecycle Controller GUI</li> <li>DTK</li> <li>SBUU</li> </ul>	<ul style="list-style-type: none"> <li>Symantec Deployment Server</li> <li>OpenManage Integration for VMware vCenter</li> <li>KACE K1000 Appliance</li> <li>Lifecycle Controller Remote Services</li> <li>BMC BladeLogic integration with Lifecycle Controller</li> </ul>
<b>Update</b>	<ul style="list-style-type: none"> <li>iDRAC7 with Lifecycle Controller</li> <li>Repository Manager</li> <li>DUP</li> <li>SUU</li> <li>SBUU</li> <li>OpenManage Integration for VMware</li> </ul>	<ul style="list-style-type: none"> <li>Dell OpenManage Essentials</li> <li>Lifecycle Controller Remote Services</li> </ul>
<b>Monitor</b>	<ul style="list-style-type: none"> <li>iDRAC7 with Lifecycle Controller</li> <li>OMSA</li> </ul>	<ul style="list-style-type: none"> <li>Dell OpenManage Essentials</li> <li>BMC ProactiveNet Performance Management integration with Lifecycle Controller</li> <li>Dell OpenManage Power Center</li> </ul>
<b>Maintain</b>	<ul style="list-style-type: none"> <li>IPMI</li> <li>iDRAC7 with Lifecycle Controller GUI</li> </ul>	<ul style="list-style-type: none"> <li>Lifecycle Controller Remote Services</li> </ul>
		Remediate: <ul style="list-style-type: none"> <li>Dell Server PRO Management Pack for Microsoft System Center Virtual Machine Manager (SCVMM)</li> </ul> Replace parts: <ul style="list-style-type: none"> <li>Dell Lifecycle Controller Integration (DLCI) for Microsoft System Center Configuration</li> </ul>

For additional detailed information on Dell's systems management portfolio, see the *Dell OpenManage Systems Management Overview Guide* on [Dell.com/Support/Manuals](http://Dell.com/Support/Manuals).

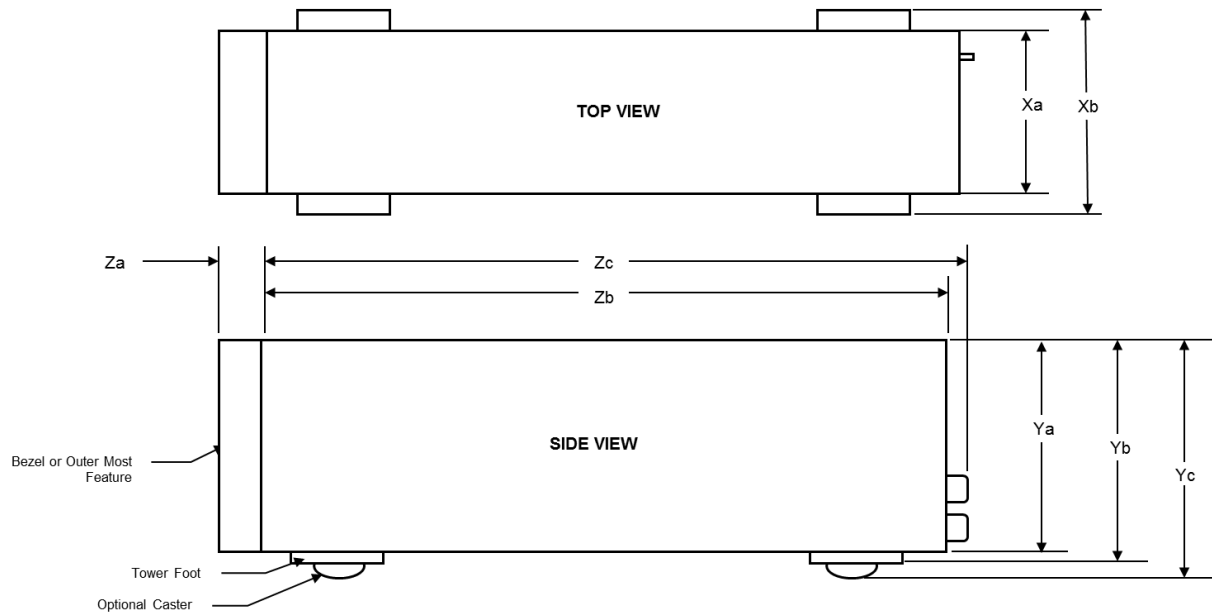


## Appendix A. Additional specifications

### Chassis weight

Figure 12 details the dimensions of the DellPowerEdge T320 chassis.

**Figure 12. Tower and rack chassis dimensions**



Xa	Xb	Ya	Yb	Yc	Za with bezel	Za without bezel	Zb <sup>1</sup>	Zc
218.0 mm	304.5 mm (foot) 307.9 mm (caster)	430.3 mm	443.3 mm	471.3 mm	16.4 mm	0.0 mm	542.2 mm	578.42 mm

<sup>1</sup>Zb goes to the nominal back wall external surface where the I/O connectors reside.

### Chassis weight

The maximum system weight for the T320 is 29.55kg (65lb).

### Power supply specifications

Table 26 lists power supply specifications for the PowerEdge T320.

**Table 26. Power supply specifications**

Specification	Redundant 750W	Redundant 495W	Non-redundant 350W
Current consumption	10–5A	6.5–3A	4.8–2.4A
Supply voltage	100–240V AC <sup>1</sup>	100–240V AC <sup>1</sup>	100–240V AC <sup>1</sup>
Frequency	50/60Hz	50/60Hz	50/60Hz
Heat dissipation (BTU/hr max)	2891	1908	1456

Specification	Redundant 750W	Redundant 495W	Non-redundant 350W
Maximum inrush current <sup>2</sup>	55A	55A	55A

<sup>1</sup>Auto-ranging

<sup>2</sup>Under typical line conditions and over the entire system ambient operating range, the inrush current may reach 55A per power supply for 10ms or less.

## Environmental specifications

Table 27 details the environmental specifications for the T320. For additional information about environmental measurements for specific system configurations, see [Dell.com/environmental\\_datasheets](http://Dell.com/environmental_datasheets).

**Table 27. Environmental specifications**

Fresh Air: temperature, humidity, altitude de-rating	
<b>Continuous operation</b>	10°C to 35°C (50°F to 95°F) at 10% to 80% relative humidity with 26°C (78.8°F) maximum dew point (maximum wet bulb temperature). De-rate maximum allowable dry bulb temperature at 1°C per 300 m above 950 m (1°F per 547 ft above 3117 ft).
<b>Expanded operation</b>	<p>When operating in the expanded temperature range, system performance may be impacted, and ambient temperature warnings may be reported on the LCD and in the System Event Log.</p> <p><b>≤ 10% of annual operating hours:</b> 5°C to 10°C and 35°C to 40°C (with no direct sunlight on the equipment) at 5% to 85% relative humidity with 26°C dew point (maximum wet bulb temperature). Outside the standard operating temperature (10°C to 35°C), the system can operate down to 5°C or up to 40°C for a maximum of 10% of its annual operating hours. For temperatures between 35°C and 40°C (95°F to 104°F), de-rate maximum allowable dry bulb temperature by 1°C per 175m above 950 m (1°F per 319 ft above 3117 ft).</p> <p><b>≤ 1% of annual operating hours:</b> -5°C to 5°C and 40°C to 45°C (with no direct sunlight on the equipment) at 5% to 90% relative humidity with 26°C dew point (maximum wet bulb temperature). Outside the standard operating temperature (10°C to 35°C), the system can operate down to -5°C or up to 45°C for a maximum of 1% of its annual operating hours. For temperatures between 40°C and 45°C (104°F to 113°F), de-rate maximum allowable dry bulb temperature by 1°C per 125 m above 950 m (1°F per 228 ft above 3117 ft).</p> <p><b>Expanded operation restrictions:</b></p> <ul style="list-style-type: none"> <li>• No cold startup below 5°C</li> <li>• Maximum altitude for the operating temperature must be 3050 m (10,000 ft)</li> <li>• Redundant fan required</li> <li>• Redundant PSU configuration required</li> <li>• Not supported: <ul style="list-style-type: none"> <li>&gt; GPU</li> <li>&gt; LRDIMM</li> <li>&gt; Non-redundant power supplies</li> <li>&gt; Peripheral cards not qualified by Dell</li> <li>&gt; Peripheral cards greater than 25W</li> </ul> </li> </ul>
Temperature	
<b>Operating</b>	See Fresh Air for temperature information
<b>Storage</b>	-40°C to 65°C (-40°F to 149°F) with a maximum temperature gradation of 20°C per hour



## Relative humidity

**Operating** See Fresh Air for relative humidity information

**Storage** 5% to 95% at a maximum wet bulb temperature of 33°C (91°F); atmosphere must be non-condensing at all times

## Maximum vibration

**Operating** 0.26 Grms at 5Hz to 350Hz in all orientations

**Storage** 1.87 Grms at 10Hz to 500Hz for 15 minutes (all six sides tested)

## Maximum shock

**Operating** Half sine shock in all operational orientations of 31G +/- 5% with a pulse duration of 2.6ms +/- 10%

**Storage** Half sine shock on all six sides of 71G +/- 5% with a pulse duration of 2ms +/- 10%; square wave shock on all six sides of 27G with velocity change at 235 in/sec or greater

## Altitude

**Operating** -15.2 m to 3048 m (-50 ft to 10,000 ft)

**Storage** -15.2 m to 12,000 m (-50 ft to 39,370 ft)

## Airborne contaminant level

Class G1 or lower as defined by ISA-S71.04-1985

## Video specifications

The Dell PowerEdge T320 iDRAC7 incorporates an integrated video subsystem. The graphics controller is the 2D Matrox® G200. The video frame buffer (16MB) is contained within the iDRAC7 RAM (256MB) device.

The T320 system supports the 2D graphics video modes listed in Table 28 and Table 29.

**Table 28. Supported video modes for back VGA port**

Resolution	Refresh rate (Hz)	Color depth (bit)
640 x 480	60, 70	8, 16, 32
800 x 600	60, 75	8, 16, 32
1024 x 768	60, 75	8, 16, 32
1152 x 864	60, 75	8, 16, 32
1280 x 1024	60	8, 16, 32

**Table 29. Supported video modes for front VGA port**

Resolution	Refresh rate (Hz)	Color depth (bit)
640 x 480	60, 70	8, 16, 32
800 x 600	60, 75	8, 16, 32
1024 x 768	60	8, 16, 32



## Rack rail specifications

Table 30 lists the spacing dimensions for the T320 sliding rails.

**Table 30. Rail adjustability range**

Product	Rail identifier	Rail type	Rail adjustability range (mm)						Rail depth (mm)	
			Square		Round		Threaded		without CMA	with CMA
			Min	Max	Min	Max	Min	Max		
<b>T320</b>	C2	Sliding	686	756	672	749	686	771	760	840

The adjustment range of the rails is a function of the type of rack in which they are being mounted. The min-max values listed in Table 30 represent the allowable distance between the front and rear mounting flanges in the rack. Rail depth without the CMA represents the minimum depth of the rails with the outer CMA brackets removed (if applicable) as measured from the front mounting flanges of the rack.

## USB peripherals

USB peripherals are supported through the front and back USB ports on the T320. These ports are USB 2.0 compliant.





## Appendix B. Standards compliance

The Dell PowerEdge T320 conforms to the industry standards listed in Table 31.

**Table 31. Industry standard documents**

Standard	URL for information and specifications
<b>ACPI</b> Advance Configuration and Power Interface Specification, v2.0c	<a href="http://acpi.info">acpi.info</a>
<b>Ethernet</b> IEEE 802.3-2005	<a href="http://standards.ieee.org/getieee802/802.3.html">standards.ieee.org/getieee802/802.3.html</a>
<b>HDG</b> Hardware Design Guide Version 3.0 for Microsoft Windows Server	<a href="http://microsoft.com/whdc/system/platform/pcdesign/desguide/serverdg.mspx">microsoft.com/whdc/system/platform/pcdesign/desguide/serverdg.mspx</a>
<b>IPMI</b> Intelligent Platform Management Interface, v2.0	<a href="http://intel.com/design/servers/ipmi">intel.com/design/servers/ipmi</a>
<b>DDR3 Memory</b> DDR3 SDRAM Specification, Rev. 3A	<a href="http://jedec.org/download/search/JESD79-3C.pdf">jedec.org/download/search/JESD79-3C.pdf</a>
<b>LPC</b> Low Pin Count Interface Specification, Rev. 1.1	<a href="http://developer.intel.com/design/chipsets/industry/lpc.htm">developer.intel.com/design/chipsets/industry/lpc.htm</a>
<b>PCI Express</b> PCI Express Base Specification Rev. 2.0 and 3.0	<a href="http://pcsig.com/specifications/pciexpress">pcsig.com/specifications/pciexpress</a>
<b>PMBus</b> Power System Management Protocol Specification, v1.2	<a href="http://pmbus.info/specs.html">pmbus.info/specs.html</a>
<b>SAS</b> Serial Attached SCSI, v1.1	<a href="http://t10.org">t10.org</a>
<b>SATA</b> Serial ATA Rev. 2.6; SATA II, SATA 1.0a Extensions, Rev. 1.2	<a href="http://sata-io.org">sata-io.org</a>
<b>SMBIOS</b> System Management BIOS Reference Specification, v2.7	<a href="http://dmtf.org/standards/smbios">dmtf.org/standards/smbios</a>
<b>TPM</b> Trusted Platform Module Specification, v1.2	<a href="http://trustedcomputinggroup.org">trustedcomputinggroup.org</a>
<b>UEFI</b> Unified Extensible Firmware Interface Specification, v2.1	<a href="http://uefi.org/specs">uefi.org/specs</a>
<b>USB</b> Universal Serial Bus Specification, Rev. 2.0	<a href="http://usb.org/developers/docs">usb.org/developers/docs</a>



Standard	URL for information and specifications
<b>Windows Logo</b> Windows Logo Program System and Device Requirements, v3.10	<a href="https://microsoft.com/whdc/winlogo/hwrequirements.mspx">microsoft.com/whdc/winlogo/hwrequirements.mspx</a>



## Appendix C. Additional resources

Table 32 offers resources that provide more information on the Dell PowerEdge T320.

**Table 32. Additional resources**

Resource	Description of contents	Location
<b>PowerEdge T320 Systems Owner's Manual</b>	This manual, available in PDF format, provides the following information: <ul style="list-style-type: none"><li>• Chassis features</li><li>• System Setup program</li><li>• System messages</li><li>• System codes and indicators</li><li>• System BIOS</li><li>• Remove and replace procedures</li><li>• Troubleshooting</li><li>• Diagnostics</li><li>• Jumpers and connectors</li></ul>	<a href="http://Dell.com/Support/Manuals">Dell.com/Support/Manuals</a>
<b>PowerEdge T320 Getting Started Guide</b>	This guide is printed and shipped with the system, and is also available in PDF format on the Dell support site. This guide provides information on the following: <ul style="list-style-type: none"><li>• Initial setup steps</li><li>• Key system features</li><li>• Technical specifications</li></ul>	<a href="http://Dell.com/Support/Manuals">Dell.com/Support/Manuals</a>
<b>Rack Installation Instructions</b>	This printed document is provided with the rack kits. The document provides the instructions for installing the server in a rack.	<a href="http://Dell.com/Support/Manuals">Dell.com/Support/Manuals</a>
<b>Cable Management Arm Installation Instructions</b>	This printed document is provided with the CMA kits. The document provides the instructions for installing the cable management arm on the rails.	<a href="http://Dell.com/Support/Manuals">Dell.com/Support/Manuals</a>
<b>Information Update</b>	This document is printed and shipped with the system, and is also available in PDF format on the Dell support site. This document provides information on system updates.	<a href="http://Dell.com/Support/Manuals">Dell.com/Support/Manuals</a>
<b>System Information Label</b>	The system information label documents the system board layout and system jumper settings. Text is minimized due to space limitations and translation considerations. The label size is standardized across platforms.	Inside the system chassis cover
<b>Quick Resource</b>	This code on the chassis can be scanned by a phone application to access additional information and	Inside the system chassis



Resource	Description of contents	Location
<b>Locator (QRL)</b>	resources for the server, including videos, reference materials, service tag information and Dell contact information.	cover
<b>Energy Smart Solution Advisor</b>	The Dell Energy Smart Solution Advisor (ESSA) enables easier and more meaningful estimates to help you determine the most efficient configuration possible. Use ESSA to calculate the power consumption of your hardware, power infrastructure and storage.	<a href="https://Dell.com/ESSA">Dell.com/ESSA</a>
<b>Power and cooling technologies</b>	Provides details for improving energy efficiency in the data center.	<a href="https://Dell.com/PNC">Dell.com/PNC</a>
<b>Energy management</b>	Provides information on Dell's Fresh Air cooling solutions.	<a href="https://Dell.com/FreshAir">Dell.com/FreshAir</a>
<b>Operating system matrix for Dell PowerEdge systems</b>	Provides updated information on which operating systems are available on which PowerEdge systems.	<a href="https://Dell.com/OSsupport">Dell.com/OSsupport</a>
<b>Processor and chipset</b>	Provides more information about the T320 processors and chipset.	<a href="https://Intel.com">Intel.com</a>
<b>Dell PowerEdge RAID controllers</b>	Provides more information about Dell PERCs.	<a href="https://Dell.com/PERC">Dell.com/PERC</a>
<b>Power distribution unit</b>	Provides help selecting a rack-based power distribution unit.	<a href="https://DellPDU.com">DellPDU.com</a>
<b>Uninterruptible power supply</b>	Provides help selecting an uninterruptible power supply model.	<a href="https://DellUPS.com">DellUPS.com</a>
<b>Volatility information</b>	Contact your Dell sales representative.	<a href="https://Dell.com/PowerEdge">Dell.com/PowerEdge</a>
<b>Dell Enterprise Acoustics</b>	White paper that explores the mechanisms of, people's reaction to, language of, and Dell's work to control noise from enterprise products.	<a href="https://dell.com/downloads/global/products/pedge/en/acoustical-education-dell-enterprise-white-paper.pdf">dell.com/downloads/global/products/pedge/en/acoustical-education-dell-enterprise-white-paper.pdf</a>



# Appendix D. System board block diagram

Figure 13. T320 system board block diagram

