



Connecting Cisco EHWIC-3G-HSPA-U, EHWIC-3G-HSPA+7, and EHWIC-3G-HSPA+7-A to the Network

Revised: August 1, 2011, OL-24263-01

This guide describes how to connect the HSPA-U and HSPA+7/-A versions of the 3G wireless Enhanced High-Speed WAN Interface Cards (EHWICs) to your network.

- [3G Wireless WAN EHWIC Overview, page 1](#)
- [EHWIC-3G-HSPA-U, page 2](#)
- [EHWIC-3G-HSPA+7 and EHWIC-3G-HSPA+7-A, page 5](#)
- [Default Antenna and Antenna Extension, page 9](#)
- [Prerequisites, page 10](#)
- [Restrictions, page 10](#)
- [Installing a SIM Card in the EHWIC-3G-HSPA-U and EHWIC-3G-HSPA+7/-A Cards, page 11](#)
- [Connecting an Antenna to EHWIC-3G-HSPA-U and EHWIC-3G-HSPA+7/-A Cards, page 15](#)
- [Related Documents, page 21](#)
- [Obtaining Documentation, Obtaining Support, and Security Guidelines, page 21](#)

3G Wireless WAN EHWIC Overview

The HSPA cards described in this document are multiband, multiservice WAN cards. Their primary application is WAN connectivity as a backup datalink for critical data applications and as a primary WAN connection.

These cards supports the ISR G2 platforms (the Cisco 1900 series, the Cisco 2900 series and the Cisco 3900 series) and houses one cellular modem for connection to a wireless WAN.

The EHWIC-3G-HSPA+7 and EHWIC-3G-HSPA+7-A cards support downlink speeds up to 21.1 Mbps.



Americas Headquarters:
Cisco Systems, Inc., 170 West Tasman Drive, San Jose, CA 95134-1706 USA

EHWIC-3G-HSPA-U

The EHWIC-3G-HSPA-U card supports the following services:

- General Packet Radio Services (GPRS)
- Enhanced Data Rates for GSM Evolution (EDGE)
- Universal Mobile Telecommunication System (UMTS)
- High Speed Packet Access (HSPA)
 - High-speed Downlink Packet Access (HSDPA)
 - High-speed Uplink Packet Access (HSUPA)
 - Downlink speed up to 7.2 Mbps
 - Uplink speed up to 5.76 Mbps

EHWIC-3G-HSPA-U supports multiple services on multiple bands for use in different parts of the world:

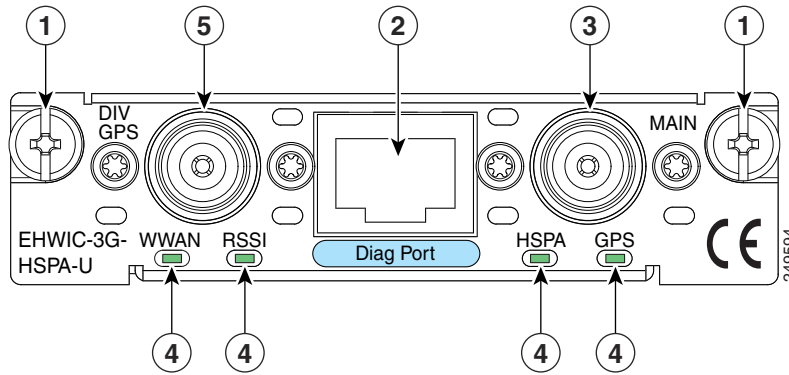
- 850/900/1800/1900 MHz for GPRS and EDGE services
- 800/850/900/1900/2100 MHz for UMTS and HSPA services
- Standalone GPS
- Short Message Service (SMS)

EHWIC-3G-HSPA-U is the Cisco part number for which the interface card is configured.

EHWIC-3G-HSPA-U supports the diversity mode (dual antenna mode) in the antennas. Types of antennas include swivel-mounted dipole with extended base and ceiling-mounted antennas. The diversity mode requires two antennas located together and spaced a minimum of 7.5 inches (19 cm) for better RF reception.

Figure 1 shows the front panel view of the EHWIC-3G-HSPA-U card.

Figure 1 EHWIC-3G-HSPA-U Front Panel



1	Mounting Screws	4	LEDs
2	Diagnostic Port	5	Diversity/GPS Antenna Connector
3	Main Antenna Connector		



Note

To use the GPS feature, connect a GPS antenna to the Diversity/GPS Antenna Connector. To use the Diversity feature, connect a Diversity antenna to the Diversity/GPS Antenna Connector. You cannot use the same antenna for both features.

Table 1 describes the LED functions of the EHWIC-3G-HSPA-U card.

Table 1 EHWIC-3G-HSPA-U LED Description

LED	Description
WWAN LED Modem status and data transmission	Off: EHWIC in reset mode or not powered.
	Slow Green Blink: Searching for service.
	Solid Green: Active service; no traffic detected.
	Fast Green Blink: Active service. Detected traffic is proportional to blink rate.
RSSI LED Received Signal Strength Indicator	Off: Low RSSI (under -100 dBm).
	Slow Green Blink: Low or medium RSSI (-99 to -90 dBm).
	Fast Green Blink: Medium RSSI (-89 to -70 dBm).
	Solid Green: High RSSI (-69 dBm or higher).
Solid Yellow: No service.	
HSPA LED 3G-HSPA Service Indicator	Off: GPRS or EDGE Service.
	Green Blink: UMTS Service.
	Solid Green: HSPA Service.
GPS LED GPS Acquisition	Off: Disabled or searching for satellite signal.
	Solid Green: GPS location obtained.

Figure 2 shows the top view of EHWIC-3G-HSPA-U.

Figure 2 Top View of EHWIC-3G-HSPA-U

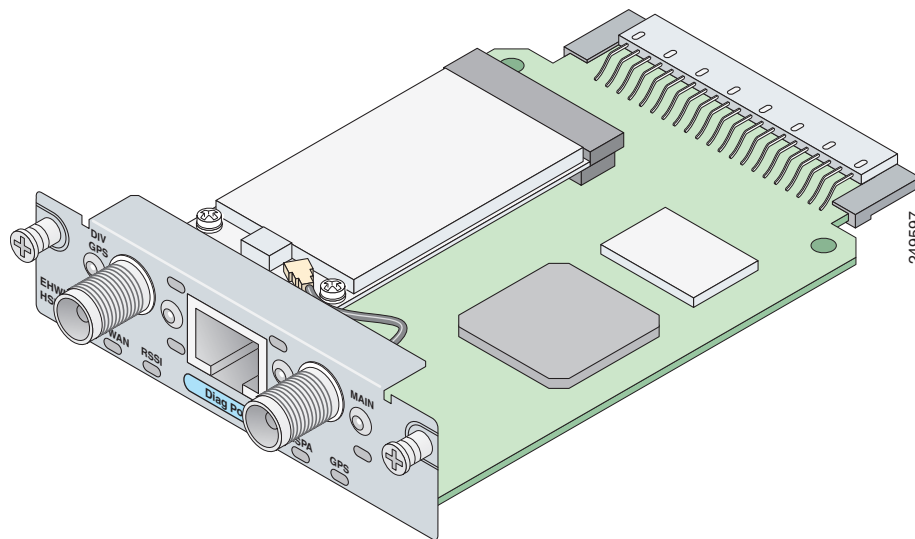
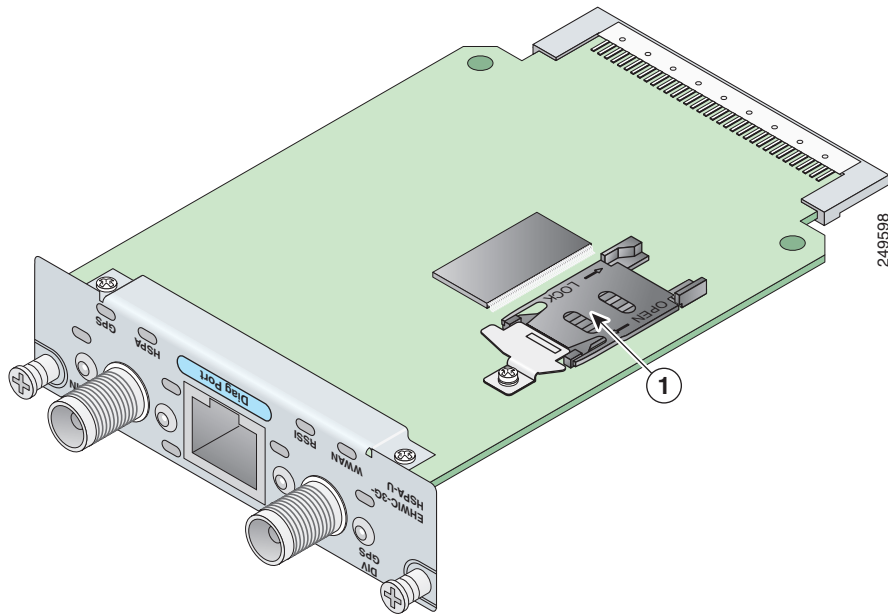


Figure 3 shows the bottom view of the EHWIC-3G-HSPA-U.

Figure 3 Bottom View of EHWIC-3G-HSPA-U



1	SIM Card Socket
----------	-----------------

EHWIC-3G-HSPA+7 and EHWIC-3G-HSPA+7-A

The EHWIC-3G-HSPA+7 and EHWIC-3G-HSPA+7-A cards support the following services:

- General Packet Radio Services (GPRS)
- Enhanced Data Rates for GSM Evolution (EDGE)
- Universal Mobile Telecommunication System (UMTS)
- High Speed Packet Access (HSPA)
 - High-speed Downlink Packet Access (HSDPA)
 - High-speed Uplink Packet Access (HSUPA)
- High Speed Packet Access (HSPA) +, 3GPP Revision 7
 - Downlink speeds up to 21.1 Mbps
 - Uplink speed up to 5.76 Mbps

The EHWIC-3G-HSPA+7-A is localized for AT&T.

The EHWIC-3G-HSPA+7 and EHWIC-3G-HSPA+7-A cards support multiple services on multiple bands for use in different parts of the world:

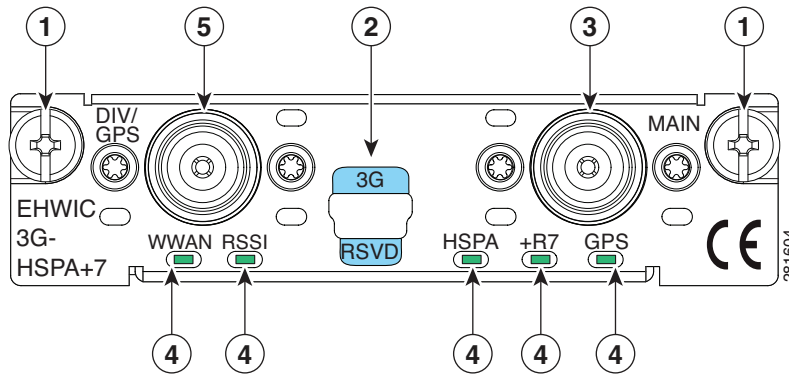
- 850/900/1800/1900 MHz for GPRS and EDGE services
- 800/850/900/1900/2100 MHz for UMTS and HSPA services
- Standalone GPS
- Short Message Service (SMS)

EHWIC-3G-HSPA+7 and EHWIC-3G-HSPA+7-A are the Cisco part numbers for which these cards are configured. These cards offer higher downlink and uplink throughputs and lower latency than the EHWIC-3G-HSPA-U card.

The EHWIC-3G-HSPA+7 and EHWIC-3G-HSPA+7-A cards support the diversity mode (dual antenna mode) in the antennas. Types of antennas include swivel-mounted dipole with extended base and ceiling-mounted antennas. The diversity mode requires two antennas located together and spaced a minimum of 7.5 inches (19 cm) for better RF reception.

Figure 1 shows the front panel view of the EHWIC-3G-HSPA+7 card.

Figure 4 EHWIC-3G-HSPA+7 Front Panel



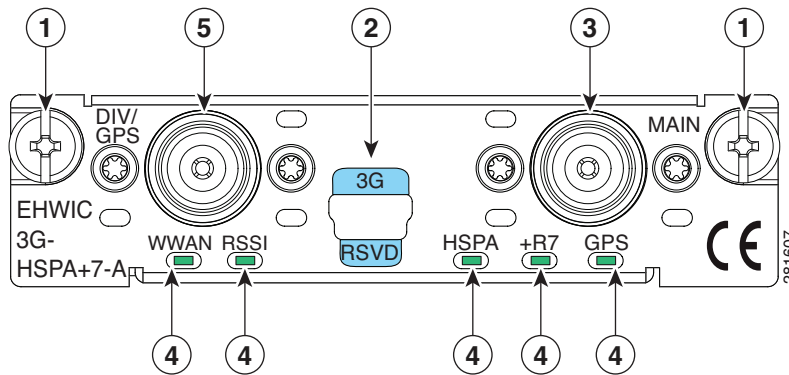
1	Mounting Screws	4	LEDs
2	Diagnostic Port	5	Diversity/GPS Antenna Connector
3	Main Antenna Connector		

Note

To use the GPS feature, connect a GPS antenna to the Diversity/GPS Antenna Connector. To use the Diversity feature, connect a Diversity antenna to the Diversity/GPS Antenna Connector. You cannot use the same antenna for both features.

Figure 5 shows the front panel view of the EHWIC-3G-HSPA+7-A card.

Figure 5 EHWIC-3G-HSPA+7-A Front Panel



1	Mounting Screws	4	LEDs
2	Diagnostic Port	5	Diversity/GPS Antenna Connector
3	Main Antenna Connector		

Table 1 describes the LED functions of the EHWIC-3G-HSPA+7 card.

Table 2 *EHWIC-3G-HSPA+7 LED Description*

LED	Description
WWAN LED Modem status and data transmission	Off: EHWIC in reset mode or not powered.
	Slow Green Blink: Searching for service.
	Solid Green: Active service; no traffic detected.
	Fast Green Blink: Active service. Detected traffic is proportional to blink rate.
RSSI LED Received Signal Strength Indicator	Off: Low RSSI (under -100 dBm).
	Slow Green Blink: Low or medium RSSI (-99 to -90 dBm).
	Fast Green Blink: Medium RSSI (-89 to -70 dBm).
	Solid Green: High RSSI (-69 dBm or higher).
HSPA LED 3G-HSPA Service Indicator	Off: GPRS or EDGE Service.
	Green Blink: UMTS Service.
	Solid Green: HSPA or HSPA+R7 Service.
+R7 LED	Off: HSPA+ Revision 7 service unavailable or not in use.
	Solid Green: HSPA+ Revision 7 service in use.
GPS LED GPS Acquisition	Off: Disabled or searching for satellite signal.
	Solid Green: GPS location obtained.

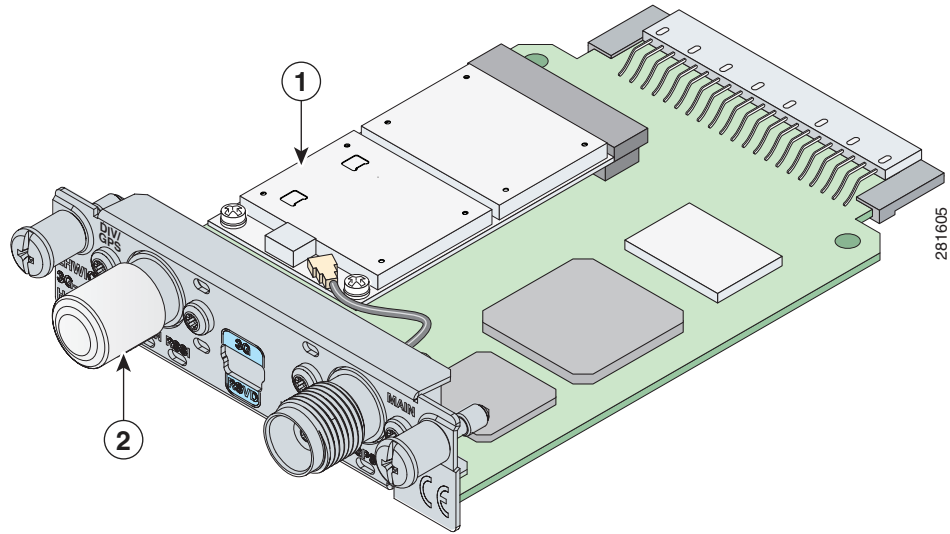


Note

Both the HSPA LED and +R7 LEDs are lit solid green when HSPA+ Revision 7 is in use.

Figure 2 shows the top view of EHWIC-3G-HSPA+7.

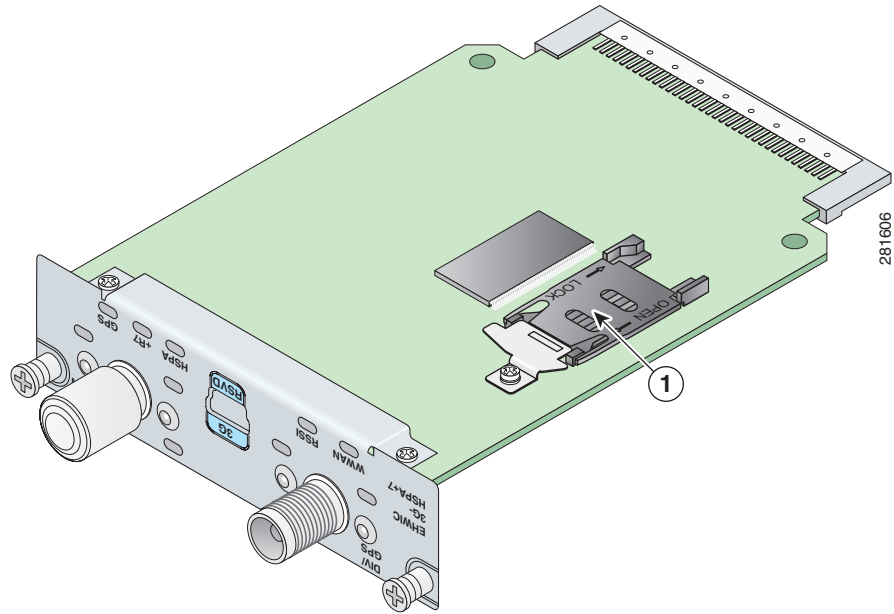
Figure 6 Top View of EHWIC-3G-HSPA+7



1	Cellular modem	2	Antenna connector cover
----------	----------------	----------	-------------------------

Figure 3 shows the bottom view of the EHWIC-3G-HSPA+7.

Figure 7 Bottom View of EHWIC-3G-HSPA+7



1	SIM Card Socket
----------	-----------------

Default Antenna and Antenna Extension

EHWIC-3G-HSPA-U and EHWIC-3G-HSPA+7/-A cards ship with the default antenna (3G-ANTM1919D) and the default antenna extension, a base with a 10-foot cable (3G-AE010-R):

- *Cisco Multiband Swivel Mount Dipole Antenna (3G-ANTM1919D)* antenna
- *Cisco Single-Port Antenna Stand for Multiband TNC Male-Terminated Portable Antenna (3G-AE010-R)* antenna extension

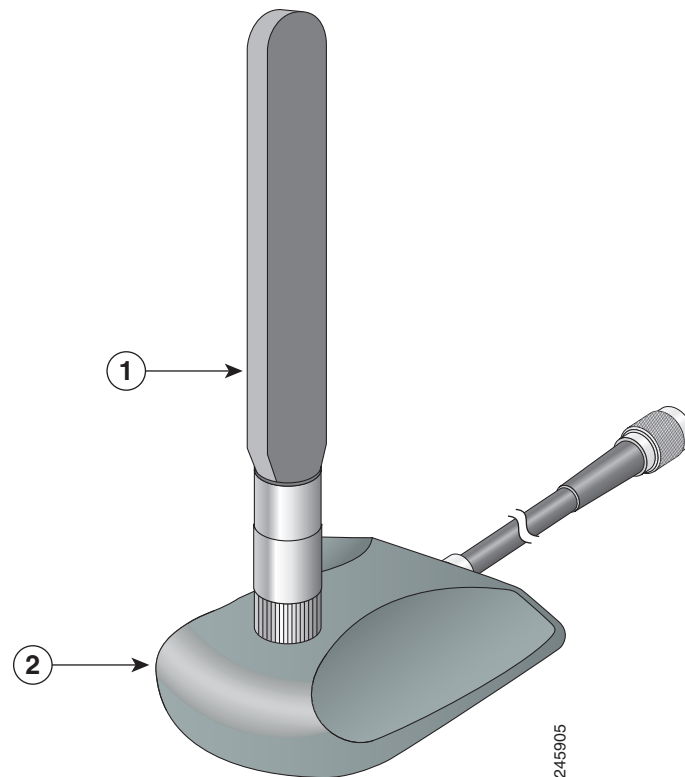


Note The 3G-AE010-R antenna extension is the same as 3G-AE015-R except for the length of the antenna cable. The 3G-AE015-R antenna extension comes with a 15-foot cable.

Connect the default antenna to the main antenna connector on the EHWIC card. If you need to move the antenna to a better location, connect the antenna to the extension and then connect the extension's cable to the main antenna connector on the card.

Figure 8 shows the Cisco 3G-ANTM-1919D multiband swivel-mount dipole antenna connected to the Cisco 3G-AE010-R antenna extension.

Figure 8 Cisco 3G-ANTM1919D Antenna Connected to the 3G-AE010-R Antenna Extension



1	Cisco 3G-ANTM-1919D antenna.	2	Cisco 3G-AE010-R antenna extension base
---	------------------------------	---	---

Prerequisites

Before you connect, make sure you have done the following:

- Make sure you have subscribed to an appropriate GSM service plan with your wireless service provider.
- Choose an antenna that best suits your needs. See the “[Connecting an Antenna to EHWIC-3G-HSPA-U and EHWIC-3G-HSPA+7/-A Cards](#)” section on page 15.
- Although not required, you can use two antennas to take advantage of the diversity antenna mode for the best RF performance.



Note To use the GPS feature, connect a GPS antenna to the Diversity/GPS Antenna Connector. To use the Diversity feature, connect a Diversity antenna to the Diversity/GPS Antenna Connector. You cannot use the same antenna for both features.

- To connect a diversity GPS antenna to the diversity antenna connector on the card, you need to make a separate order for the antenna from Cisco.
- Contact your carrier for information on network coverage, signal strength, choosing a suitable antenna, and antenna placement.



Note The diagnostics port is to be used as an advanced diagnostics tool. Do not use this port for normal operations.

Restrictions

Limitations of 3G wireless EHWIC cards include the following:

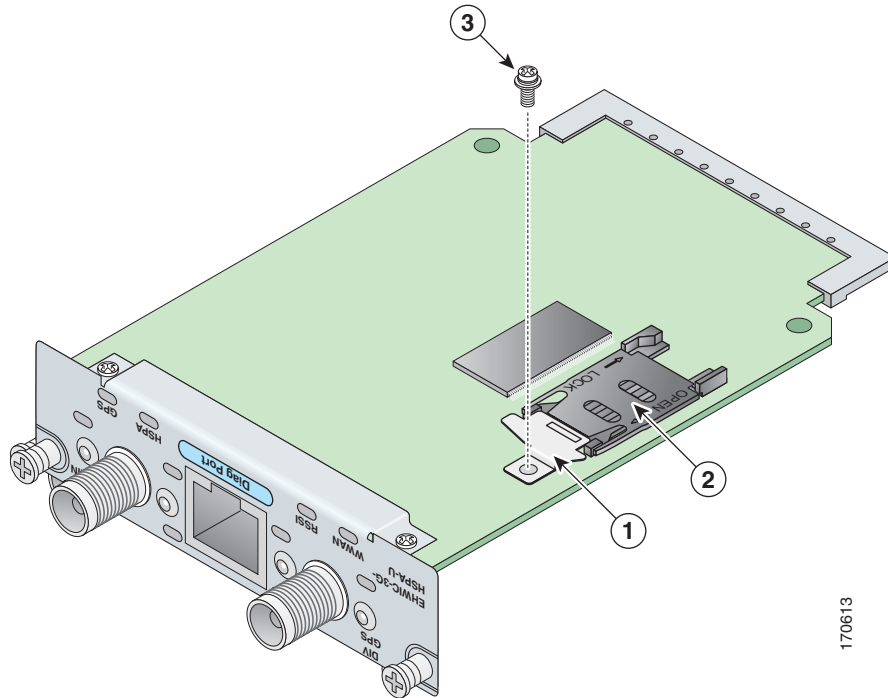
- The 3G wireless EHWIC card must be installed in an EHWIC slot. To determine which slots on your platform support HWICs, see the *Cisco Interface Cards for Cisco Access Routers* guide: http://www.cisco.com/en/US/docs/routers/access/interfaces/ic/hardware/installation/guide/oview_ic.html
- The 3G wireless EHWIC cards are only supported on ISR G2 platform

Installing a SIM Card in the EHWIC-3G-HSPA-U and EHWIC-3G-HSPA+7/-A Cards

To install a SIM card onto the EHWIC-3G-HSPA-U and EHWIC-3G-HSPA+7/-A cards, follow these steps:

- Step 1** On the bottom side of the 3G wireless EHWIC, remove the bracket by unscrewing the M2.5 screw as shown in [Figure 9](#).

Figure 9 SIM Card installation Step 1



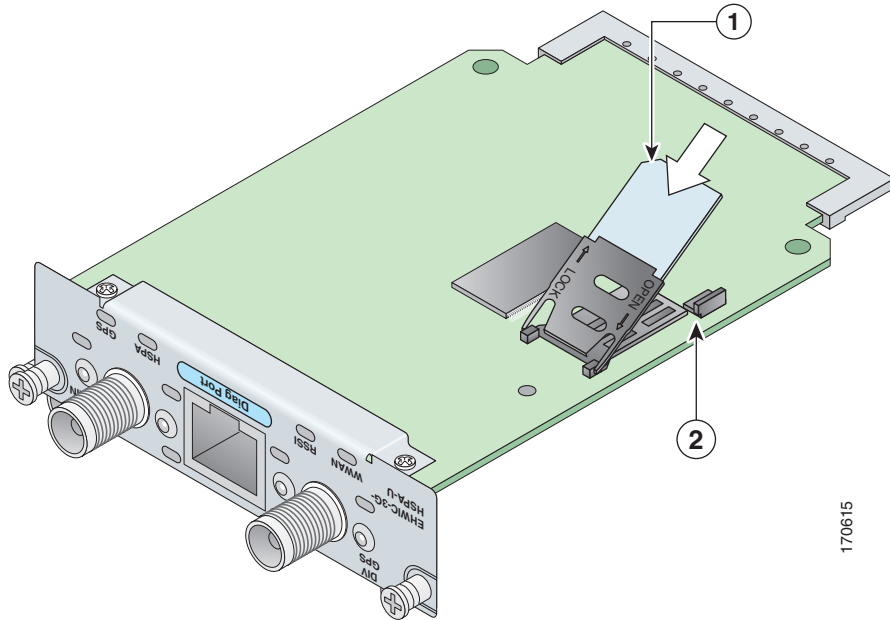
1	SIM Card Bracket	3	M2.5 screw
2	SIM socket		

Step 3 Slide the SIM card into the slot of the open cover. See [Figure 11](#) for details.



Note The SIM card is keyed. Make sure that the chamfer is oriented as shown in [Figure 11](#), and the gold-plated contacts face downward to make contact with the contact pins of the SIM socket.

Figure 11 SIM Card Installation Step 3

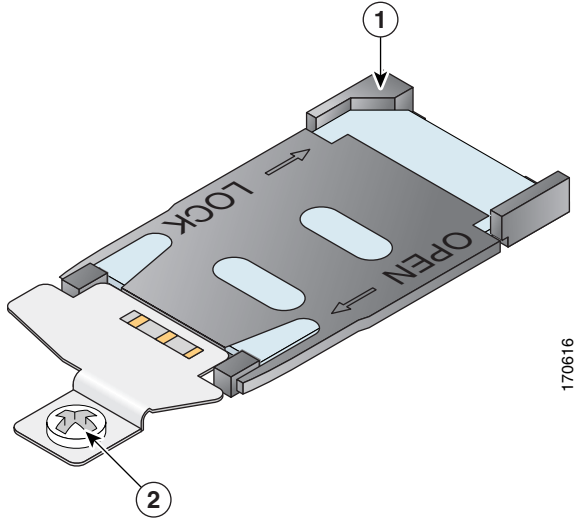


1770615

1	SIM Card	2	Chamfer
----------	----------	----------	---------

Step 4 Close the cover by pushing it down and then sliding into the direction of the “Lock” arrows until it locks into place. Install the bracket back with the M2.5 screw as shown in [Figure 12](#).

Figure 12 SIM Card Installation Step 4



1	Chamfer lined with keyed socket	3	M2.5 Screw
----------	---------------------------------	----------	------------

Connecting an Antenna to EHWIC-3G-HSPA-U and EHWIC-3G-HSPA+7/-A Cards

This section contains the following sub-sections:

- [Wireless Access Devices Safety Guidelines and Warnings, page 15](#)
- [Prerequisites for Connecting Antennas, page 16](#)
- [Supported Cisco Antennas and Cables, page 17](#)
- [Connecting Swivel-Mount Dipole Antennas, page 20](#)
- [Faceplate-Mounted and Ceiling-Mounted Antennas and Cabling, page 20](#)

Wireless Access Devices Safety Guidelines and Warnings

The following are guidelines for wireless access devices:

- Do not touch or move antenna(s) while the unit is transmitting or receiving.
- Do not hold any component containing a radio so that the antenna is very close to or touching any exposed parts of the body, especially the face or eyes, while transmitting.
- The use of wireless devices in hazardous locations is limited to the constraints posed by the local codes, the national codes, and the safety directors of such environments.



Warning

Before working on a chassis or working near power supplies, unplug the power cord on AC units; disconnect the power at the circuit breaker on DC units. Statement 12



Warning

When handling the EHWICs and antennas, wear grounding wrist straps to avoid ESD damage to the card. Do not directly touch the backplane with your hand or any metal tool, or you could shock yourself. Statement 94



Warning

Do not operate your wireless network device near unshielded blasting caps or in an explosive environment unless the device has been modified to be especially qualified for such use. Statement 245B



Warning

In order to comply with FCC radio frequency (RF) exposure limits, antennas should be located at a minimum of 7.9 inches (20 cm) or more from the body of all persons. Statement 332



Warning

This equipment must be connected to an indoor antenna only. Statement 373



Warning

Do not work on the system or connect or disconnect cables during periods of lightning activity. Statement 1001

**Warning****Read the installation instructions before connecting the system to the power source.** Statement 1004**Warning****Ultimate disposal of this product should be handled according to all national laws and regulations.**

Statement 1040

Prerequisites for Connecting Antennas

This section contains information about connecting the antennas.

**Note**

Before you connect the antennas, install the 3G wireless EHWIC in the router. For more information, see the *Installing Cisco Interface Cards in Cisco Access Routers* guide:

http://www.cisco.com/en/US/docs/routers/access/interfaces/ic/hardware/installation/guide/inst_ic.html

In addition to antenna orientation, installation location with respect to other wireless equipment and other RF noise sources, such as telecom and datacom equipment, plays a significant role in determining overall network performance.

Because antennas transmit and receive radio signals, their performance can be adversely affected by the surrounding environment, including distance between the EHWIC antenna and cellular base station, physical obstructions, or radio frequency (RF) interference.

Follow these guidelines to ensure the best possible performance:

- Wherever possible, mount the 3G wireless EHWIC antenna away from physical obstructions. Barriers along the line of sight between the EHWIC antenna and cellular base station will degrade the wireless radio signals. The 3G wireless HWICs and antennas can be installed above floor level in office environments or near the ceiling for better performance because most obstructions tend to be near floor level.
- The density of the materials used in a building's construction determines the number of walls the signal must pass through and still maintain adequate coverage. Consider the following before choosing the location to install your antenna:
 - Paper and vinyl walls have very little effect on signal penetration.
 - Solid and precast concrete walls limit signal penetration to one or two walls without signal degradation.
 - Concrete and wood block walls limit signal penetration to three or four walls.
 - A signal can penetrate five or six walls constructed of drywall or wood.
 - A thick metal wall or a wire-mesh stucco wall causes signals to reflect back and causes poor penetration.
- Avoid mounting the antenna next to a column or vertical support that could create a shadow zone and reduce the coverage area.
- Keep the antenna away from reflective metal objects such as heating and air-conditioning ducts, large ceiling trusses, building superstructures, and major power cabling runs. If necessary, use an extension cable to relocate the antenna away from these obstructions.

**Caution**

Install the 3G wireless EHWIC and any antennas away from appliances that share the same frequency bands. Microwave ovens, cordless telephones, and security monitors can temporarily interfere with wireless performance.

**Caution**

We recommend you avoid installing wireless antennas in or near rack-mounted installations that include networking equipment and computer servers whose radiated noise emissions can severely degrade radio performance.

**Note**

If the desired installation site has a marginally acceptable level of radiated noise emissions, consider using a remotely-mounted antenna, such as a wall-mounted or ceiling-mounted antenna, for better radio performance and coverage.

Supported Cisco Antennas and Cables

Table 3 lists the Cisco antennas that are supported for use on 3G wireless WAN EHWIC cards.

Table 3 Cisco Antennas Supported on the 3G Wireless EHWIC Cards

Cisco Part Number	Antenna Type	Maximum Gain and Frequency Range	Description
3G-ANTM1916-CM	High-gain ceiling-mount omnidirectional	1.5 dBi (806–960 MHz) 2.5 dBi (1710–2170 MHz)	Multiband ceiling-mounted omnidirectional antenna. For more information, see Cisco Multiband In-Building Omnidirectional Ceiling-Mount Antenna (3G-ANTM1916-CM) .
3G-ANTM1919D	Dipole omnidirectional	0 dBi (806–960 MHz) 0 dBi (1710–2170 MHz)	This is the default antenna. Multiband dipole antenna. For more information, see Cisco Multiband Swivel-Mount Dipole Antenna (3G-ANTM1919D) .
3G-AE015-R (Antenna Extension)	Extension base	0.8–6.0 GHz	This antenna extension is a base with a 15-foot cable included for use with a dipole omnidirectional antenna. For more information, see Cisco Single-Port Antenna Stand for Multiband TNC Male-Terminated Portable Antenna (Cisco 3G-AE015-R) .
3G-AE010-R (Antenna Extension)	Extension Base	0.8–6.0 GHz	This is the default antenna extension. This antenna extension is a base with a 10-foot cable included for use with dipole omnidirectional antennas. For more information, see Cisco Single-Port Antenna Stand for Multiband TNC Male-Terminated Portable Antenna (Cisco 3G-AE015-R) . This document applies to both 3G-AE015-R and 3G-AE010-R. The only difference between these two products is the length of the cable.

Table 3 Cisco Antennas Supported on the 3G Wireless EHWIC Cards (continued)

Cisco Part Number	Antenna Type	Maximum Gain and Frequency Range	Description
3G-ANTM-OUT-OM	Outdoor Omnidirectional	+2 dBi 800/900 MHz +4 dBi 1800/1900/2100 MHz	This is an outdoor low profile omnidirectional mast antenna. For more information, see Cisco 3G Omnidirectional Outdoor Antenna (3G-ANTM-OUT-OM) .
3G-ANTM-OUT-LP	Low Profile Stick Antenna	- 1.5 dBi 850, 900 MHz - 2.5 dBi 1800, 1900, 2100 MHz	This is an omnidirectional stick antenna. For more information, see Cisco Multiband Omnidirectional Panel-Mount Antenna (3G-ANTM-OUT-LP)
3G-ACC-OUT-LA (Lightning Arrestor)	Lightning Arrestor	800 MHz to 2200 MHz	This is a quarter-wave lightning protector with integrated high-pass filter. For more information, see Cisco 3G Lightning Arrestor (3G-ACC-OUT-LA)
3G-ACC-OUT-COMBO	Lightning Arrestor and antenna	N/A	Multi-Band Outdoor Omnidirectional Antenna Mast/Wall Mount (3G-ACC-OUT-OM) and 3G Outdoor Antenna Lightning Arrestor (3G-ACC-OUT-LA)
4G-ANTM-OM-CM	Low Profile Surface Mount Omnidirectional	698 MHz–2690 MHz	This is a ceiling mount omnidirectional antenna that can be used in any of the 3G or 4G bands (that is, any of the 700/800/900/1700/1800/1900/2100/2600 MHz bands). For more information, see Cisco 4G Indoor Ceiling-Mount Omnidirectional Antenna (4G-ANTM-OM-CM) .

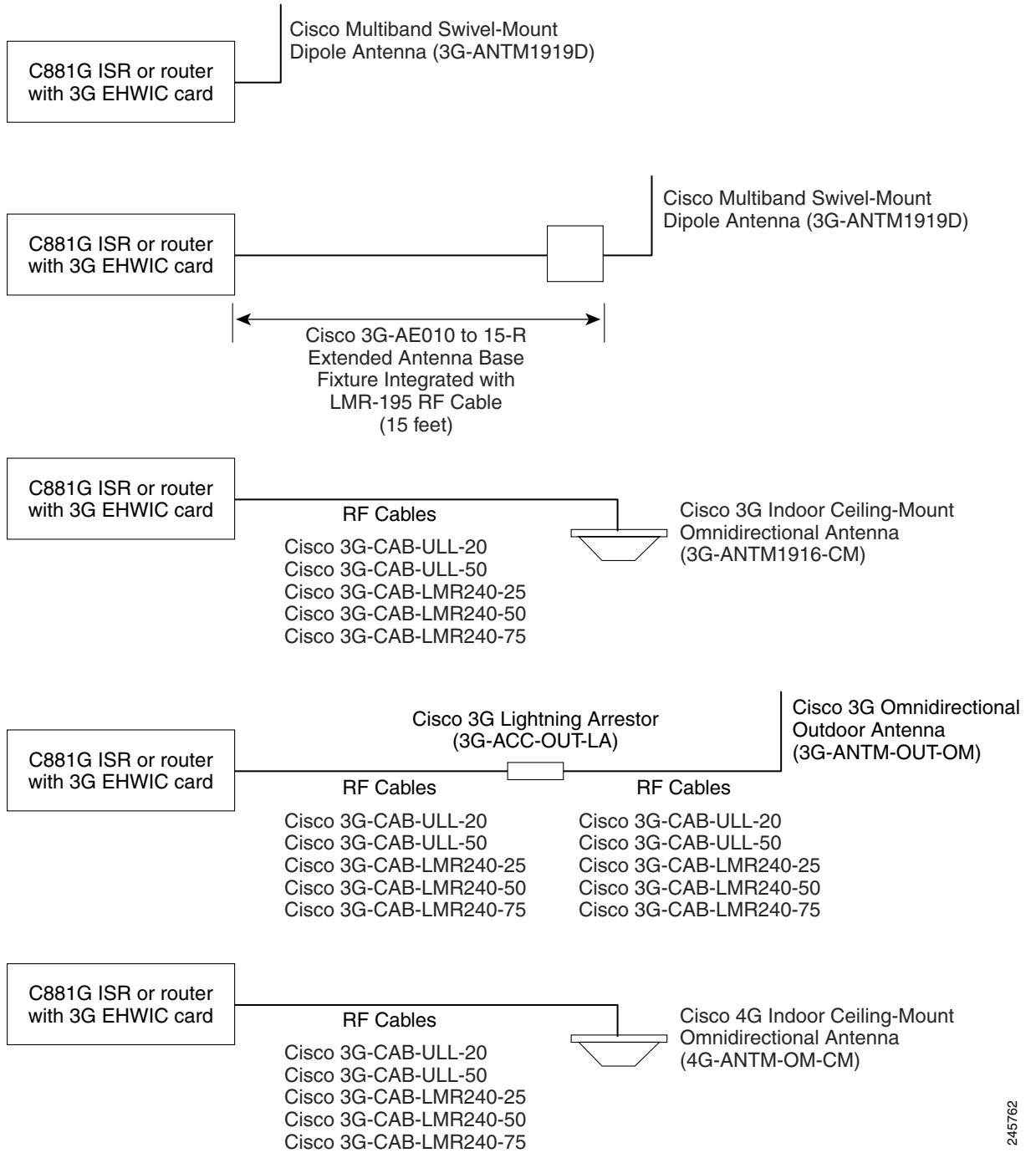
Table 4 lists insertion loss information for the ultra-low-loss (ULL) LMR 400 extension cables available from Cisco for use with 3G EHWIC antennas.

Table 4 Cisco Extension Cables for Use with Antennas

Cisco Product Number	Cable Length	Insertion Loss	Frequency (MHz)
3G-CAB-ULL-20	20 ft (6 m)	1.50 dB max.	2100
3G-CAB-ULL-50	50 ft (15 m)	3.50 dB max.	2100
3G-CAB-LMR240-25	25 ft (7.5 m)	3.50 dB max.	2200
3G-CAB-LMR240-50	50 ft (15 m)	6.90 dB max.	2200
3G-CAB-LMR240-75	75 ft (23 m)	10.5 dB max.	2200

Figure 13 shows the various antenna options for 3G wireless WAN EHWIC cards.

Figure 13 **Antenna Options**



245762

Connecting Swivel-Mount Dipole Antennas

If you are using Cisco swivel-mounted dipole antennas, follow these steps:

-
- Step 1** Attach an antenna to each TNC antenna connector on the front of the EHWIC card and tighten it hand-tight.
- Step 2** Orient the antennas, depending on how you intend to mount the router in which the card is installed.
- If the router is on a table or desk, orient the antennas to the left and right sides so that they are at a 90-degree angle to each other. (See [Figure 13](#).)
 - If the router is on a vertical surface, such as a wall, orient the antennas up and at a 90-degree angle to each other.
 - If the router is on a ceiling, orient the antennas down and at a 90-degree angle to each other.
-

**Note**

Although it is not absolutely necessary, for best RF performance, do not attach the dipole antenna directly to the face-plate of the card. Use the antenna extension cable and antenna base recommended for the product.

Faceplate-Mounted and Ceiling-Mounted Antennas and Cabling

Depending on the wireless environment, wall-mounted or ceiling-mounted antennas may be preferred for optimum radio coverage. If the length of the coaxial antenna cable is insufficient to cover the distance between the EHWIC card and the location of the installed antenna, you can use ultra-low-loss TNC extension cables between the EHWIC card and the antenna cable.

RF energy is carried between the antennas and the radio equipment through a coaxial cable. An antenna cable introduces signal loss in the antenna system for both the transmitter and the receiver.

Although the cable run can be 100 feet (30 m) or more from the EHWIC card to antenna locations, the longer the cable run, the greater the signal loss. To reduce signal loss, minimize the cable length and use only ultra-low-loss antenna cables to connect radio devices to antennas.

To connect faceplate-mounted or ceiling-mounted antennas, follow the installation instructions for your antenna:

- For more information about connecting the 3G-ANTM1919D antenna to EHWIC cards, see the *Cisco Multiband Swivel Mount Dipole Antenna (3G-ANTM1919D)* document.
- For more information about connecting the 3G-ANT1916-CM antenna to EHWIC cards, see the *Cisco Multiband Omnidirectional Ceiling Mount Antenna (3G-ANTM1916-CM)* document.
- For more information about connecting the 3G-AE015-R antenna extension to EHWIC cards, see the *Cisco Extended Antenna Base (3G-AE015-R)* document.

Related Documents

For additional information, see the following documents and resources.

Related Topic	Document Title
Regulatory compliance and safety information	<i>Cisco Network Modules and Interface Cards Regulatory Compliance and Safety Information</i> http://www.cisco.com/en/US/docs/routers/access/interfaces/rcsi/IOHrcsi.html
Cisco IOS software website and reference documentation	<i>Cisco IOS Software</i> http://www.cisco.com/en/US/docs/ios/preface/aboutios.html
Information about Cisco's 3G wireless connectivity solutions	Cisco 3G Wireless Connectivity Solutions http://www.cisco.com/en/US/prod/routers/ps380/3g_solns.html

Obtaining Documentation, Obtaining Support, and Security Guidelines

For information on obtaining documentation, obtaining support, providing documentation feedback, security guidelines, and also recommended aliases and general Cisco documents, see the monthly *What's New in Cisco Product Documentation*, which also lists all new and revised Cisco technical documentation, at:

<http://www.cisco.com/en/US/docs/general/whatsnew/whatsnew.html>

Cisco and the Cisco Logo are trademarks of Cisco Systems, Inc. and/or its affiliates in the U.S. and other countries. A listing of Cisco's trademarks can be found at www.cisco.com/go/trademarks. Third party trademarks mentioned are the property of their respective owners. The use of the word partner does not imply a partnership relationship between Cisco and any other company. (1005R)

Any Internet Protocol (IP) addresses used in this document are not intended to be actual addresses. Any examples, command display output, and figures included in the document are shown for illustrative purposes only. Any use of actual IP addresses in illustrative content is unintentional and coincidental.

© 2011 Cisco Systems, Inc. All rights reserved.