



# Connecting Cisco 2-Port E&M Voice Interface Cards

---

Revised: January 11, 2008, OL-14876-01

## Overview

This document provides an overview of Cisco interface cards and explains how to install the Cisco 2-port E&M voice interface card (VIC3-2E/M). It contains the following sections:

- [2-Port E&M Voice Interface Cards, page 1](#)
- [Obtaining Documentation, Obtaining Support, and Security Guidelines, page 4](#)

For an overview of Cisco interface cards used for Cisco access routers, see the [Cisco Interface Cards for Cisco Access Routers](#) document.

## 2-Port E&M Voice Interface Cards

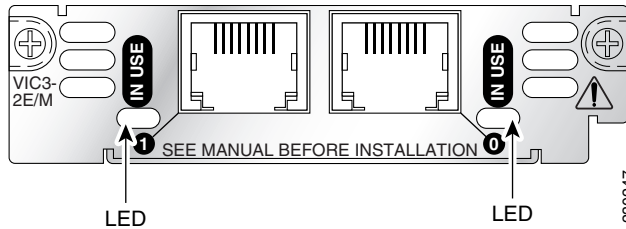
This section describes E&M voice interface cards and how to them to a network. It contains the following sections:

- [2-Port E&M Voice Interface Card LEDs, page 2](#)
- [Supported Platforms, page 2](#)
- [Prerequisites for Connecting 2-Port E&M Voice Interface Cards to a Network, page 2](#)
- [Connecting Cisco 2-Port E&M Voice Interface Cards to a Network, page 3](#)

Cisco voice interface cards (VICs) support voice technologies. VICs can be installed in interface card slots on supported Cisco access routers or in 1- or 2-slot voice network modules that are installed in network module slots on supported Cisco access routers.

RecEive and transMit (E&M) is a signaling technique for 2-wire and 4-wire telephone and trunk interfaces. The E&M interface typically connects remote calls from an IP network to a PBX. The Cisco 2-port E&M voice interface card is shown in [Figure 1](#).

**Figure 1** Cisco 2-Port E&M VIC Front Panel (VIC3-2E/M)



## 2-Port E&M Voice Interface Card LEDs

The E&M voice interface card has one IN USE LED for each port. [Table 1](#) describes the functions of the LEDs.

**Table 1** Cisco 2-Port E&M VIC LEDs

LED status	Description
Green	Monitored ports are active (have initialized without error).
Yellow	At least one monitored port is not ready.
Off	Monitored ports are not active or have failed to initialize.

## Supported Platforms

This Cisco voice interface card (VIC3-2E/M) is supported on the following Cisco routers:

- Cisco 2800 series routers, including the Cisco 2801, Cisco 2811, Cisco 2821, and Cisco 2851
- Cisco 3800 series routers, including the Cisco 3825 and Cisco 3845
- Cisco IAD2430 series routers



### Note

Use Cisco Feature Navigator to find information about platform support and Cisco IOS software image support. Access Cisco Feature Navigator at <http://www.cisco.com/go/fn>. You must have an account on Cisco.com. If you do not have an account or have forgotten your username or password, click **Cancel** at the login dialog box and follow the instructions that appear.

## Prerequisites for Connecting 2-Port E&M Voice Interface Cards to a Network

Before connecting a VIC to the network, ensure that the VIC is installed in the router, the equipment is properly grounded, and you have the proper cables for connecting the VIC to the network. This section describes the preparation necessary before connecting a 2-port E&M VIC to the network.

## Installing a Cisco 2-Port E&M Voice Interface Card

Install the Cisco 2-port E&M VIC according to the instructions in [Installing Cisco Interface Cards in Cisco Access Routers](#).

## Grounding

Ensure that the equipment you are working with is properly grounded according to the instructions in *Installing Cisco Interface Cards in Cisco Access Routers*.

## Cables

Use a straight-through RJ-48C cable to connect the E&M card to the PSTN or PBX through a telephone wall outlet.



**Caution**

Do not connect an E&M interface directly to the PSTN.



**Note**

Ports on the E&M voice interface card are colored brown.

## Connecting Cisco 2-Port E&M Voice Interface Cards to a Network

To connect the Cisco 2-port E&M VIC, follow these steps:

**Step 1** Confirm that the router is turned off.

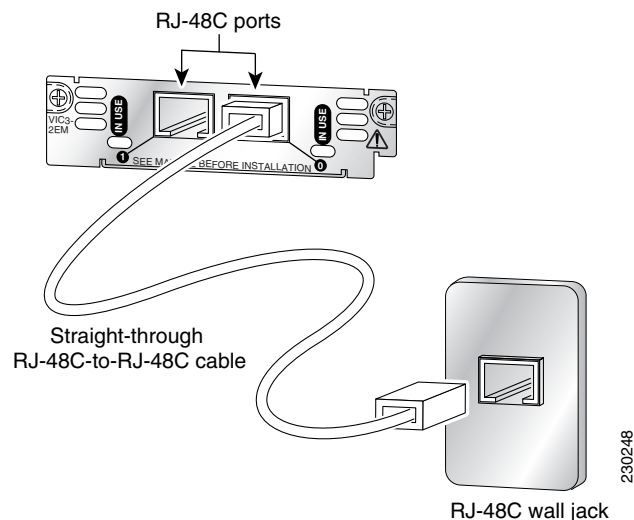


**Caution**

To comply with the Telcordia GR-1089 NEBS standard for electromagnetic compatibility and safety, connect the 2-port E&M card (VIC2-2E/M) only to intrabuilding or nonexposed wiring or cabling. The intrabuilding cable must be shielded, and the shield must be grounded at both ends.

**Step 2** Connect one end of the straight-through RJ-48C-to-RJ-48C cable to an RJ-48C port on the card. (See [Figure 2](#).)

**Figure 2** Cisco 2-Port E&M VIC Front Panel (VIC3-2E/M)



**Step 3** Connect the other end of the cable to an RJ-48C wall outlet.

**Step 4** Power up the router.

The following warning applies to routers that use a DC power supply:



**Warning**

---

**After wiring the DC power supply, remove the tape from the circuit breaker switch handle and reinstate power by moving the handle of the circuit breaker to the ON position.** Statement 8

---

## Obtaining Documentation, Obtaining Support, and Security Guidelines

For information on obtaining documentation, obtaining support, providing documentation feedback, security guidelines, and also recommended aliases and general Cisco documents, see the monthly *What's New in Cisco Product Documentation*, which also lists all new and revised Cisco technical documentation, at:

<http://www.cisco.com/en/US/docs/general/whatsnew/whatsnew.html>

CCDE, CCENT, Cisco Eos, Cisco Lumin, Cisco Nexus, Cisco StadiumVision, Cisco TelePresence, the Cisco logo, DCE, and Welcome to the Human Network are trademarks; Changing the Way We Work, Live, Play, and Learn and Cisco Store are service marks; and Access Registrar, Aironet, AsyncOS, Bringing the Meeting To You, Catalyst, CCDA, CCDP, CCIE, CCIP, CCNA, CCNP, CCSP, CCVP, Cisco, the Cisco Certified Internetwork Expert logo, Cisco IOS, Cisco Press, Cisco Systems, Cisco Systems Capital, the Cisco Systems logo, Cisco Unity, Collaboration Without Limitation, EtherFast, EtherSwitch, Event Center, Fast Step, Follow Me Browsing, FormShare, GigaDrive, HomeLink, Internet Quotient, IOS, iPhone, iQ Expertise, the iQ logo, iQ Net Readiness Scorecard, iQuick Study, IronPort, the IronPort logo, LightStream, Linksys, MediaTone, MeetingPlace, MeetingPlace Chime Sound, MGX, Networkers, Networking Academy, Network Registrar, PCNow, PIX, PowerPanels, ProConnect, ScriptShare, SenderBase, SMARTnet, Spectrum Expert, StackWise, The Fastest Way to Increase Your Internet Quotient, TransPath, WebEx, and the WebEx logo are registered trademarks of Cisco Systems, Inc. and/or its affiliates in the United States and certain other countries.

All other trademarks mentioned in this document or Website are the property of their respective owners. The use of the word partner does not imply a partnership relationship between Cisco and any other company. (0807R)

© 2008 Cisco Systems, Inc. All rights reserved.