



APPENDIX **A**

Power Supply Specifications

This appendix provides the specifications for the Cisco ME 6500 series Ethernet switch power supplies. Two power supply models are available:

- [400 W DC-Input Power Supply, page A-1](#)
- [400 W AC-Input Power Supply, page A-3](#)



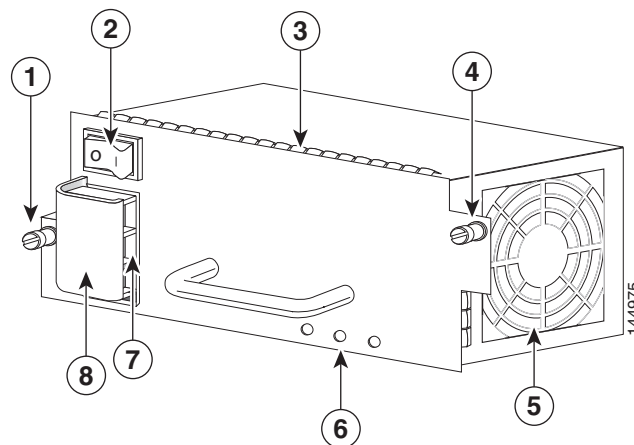
Note

The ME6524 switches support mixing AC-input and DC-input power supplies in the same chassis.

400 W DC-Input Power Supply

Figure A-1 shows the 400 W DC-input power supply (PWR-400W-DC) with the major features identified.

Figure A-1 400 W DC-Input Power Supply (PWR-400W-DC)



1	Captive installation screw	5	Power supply fan
2	Power on/off switch	6	Status LEDs
3	EMI gasket	7	Terminal block
4	Captive installation screw	8	Terminal block cover

Table A-1 lists the specifications for the 400 W DC-input power supply (PWR-400W-DC).

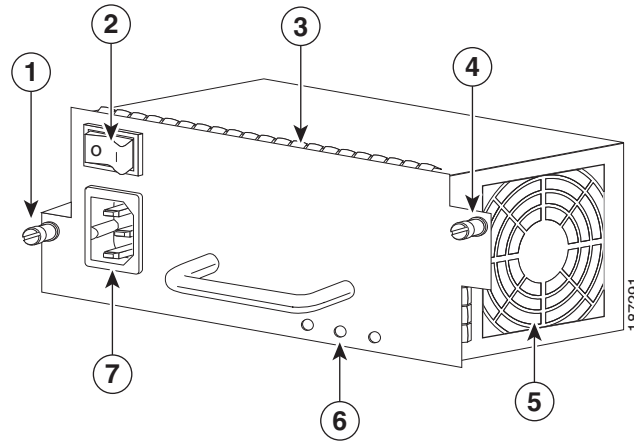
Table A-1 400 W DC-Input Power Supply Specifications

Item	Specification
DC-input voltage	<ul style="list-style-type: none"> • -48 VDC @ 37 A for nominal -48 V battery backup system (operating range: -40.5 VDC to -56 VDC) • -60 VDC @ 29 A for nominal -60 V battery backup system (operating range: -55 VDC to -72 VDC)
DC-input current	<ul style="list-style-type: none"> • 11 A @ -48 VDC • 9 A @ -60 VDC
Power supply output capacity	400 W maximum
Power supply output	34 A @ +11.75 V
Output holdup time	4 ms
Heat dissipation	133.33 W per hour (454.92 BTU per hour)
Front panel LEDs <ul style="list-style-type: none"> • INPUT OK • FAN OK • OUTPUT OK 	<ul style="list-style-type: none"> • Green—The source DC voltage is OK. (-38.25 VDC or greater.) • Off—The source DC voltage has dropped below -33 VDC or is not present. <p>Note In dual power supply configurations with the alternate power supply powered up, the INPUT OK LED may be lit red to indicate that the DC input voltage is less than -33 VDC or that the power supply is switched off.</p> <ul style="list-style-type: none"> • Green—The power supply fan is operating properly. • Red—A power supply fan failure is detected. • Red—A problem with the DC-output voltage from the power supply is detected. • Green—The DC-output voltage is within acceptable margins.
Weight	4.41 lb (2.0 kg)

400 W AC-Input Power Supply

Figure A-2 shows the 400 W AC-input power supply (PWR-400W-AC) with the major features identified.

Figure A-2 AC-Input Power Supply (PWR-400W-AC)



1	Captive installation screw	5	Power supply fan
2	Power on/off switch	6	Status LEDs
3	EMI gasket	7	AC in receptacle (IEC60320 C15)
4	Captive installation screw		

Table A-2 lists the specifications for the 400 W AC-input power supply (PWR-400W-AC).

Table A-2 400 W AC-Input Power Supply Specifications

Specification	Description
AC-input type	<p>Autoranging input with power factor correction (PFC)</p> <p>Power factor correction (PFC) reduces the reactive component in the source AC current allowing higher power factors (typically 99 percent or better) and lower harmonic current components.</p>
AC-input voltage	<ul style="list-style-type: none"> Low-line (120 VAC nominal)—85 VAC (min) to 132 VAC (max) High-line (230 VAC nominal)—170 VAC (min) to 264 VAC (max)
AC-input current	5 A
AC-input frequency	50/60 Hz (nominal) ($\pm 3\%$ for full range)

Table A-2 400 W AC-Input Power Supply Specifications (continued)

Specification	Description
Branch circuit requirement	<p>Each chassis power supply should have its own dedicated, fused-branch circuit:</p> <ul style="list-style-type: none"> • For North America—10 A • For International—Circuits sized to local and national codes • All AC power supply inputs are fully isolated. <ul style="list-style-type: none"> – Source AC can be out of phase between multiple power supplies in the same chassis, which means that PS1 can be operating from phase A and PS2 can be operating from phase B. – For high-line operation, the power supply operates with the hot conductor wired to a source AC phase and the neutral conductor wired either to ground or to another source AC phase as long as the net input voltage is in the range of 170 to 264 VAC.
Power supply output	34.00 A @ +12 VDC
Output holdup time	10 ms minimum
Front panel LEDs	
INPUT OK	<ul style="list-style-type: none"> • Green—Source AC voltage is OK. (Input voltage is 82 VAC or greater.) • Red—Source AC voltage is less than 73 VAC (± 3 VAC) • Off—Source AC voltage falls below 70 VAC, is not present, or the power supply is turned off. <p>Note In chassis equipped with dual power supplies, if one power supply is powered on and the other power supply is powered off, the INPUT OK LED is lit red rather than unlit on the power supply that is powered off.</p>
FAN OK	<ul style="list-style-type: none"> • Green—Power supply fan is operating properly. • Red—Power supply fan failure is detected. • Off—Power supply is powered off. <p>Note In chassis equipped with dual power supplies, if one power supply is powered on and the other power supply is powered off, the FAN OK LED is lit red rather than unlit on the power supply that is powered off.</p>
OUTPUT OK	<p>Green—The 12 VDC output is within margins.</p> <p>Red—The 12 VDC output is out of tolerance (less than 11.15 VDC or more than 13.10 VDC).</p> <p>Off—The power supply is off.</p> <p>Note In chassis equipped with dual power supplies, if one power supply is powered on and the other power supply is powered off, the OUTPUT OK LED is lit red rather than unlit on the power supply that is powered off.</p>
Weight	4.41 lb (2 kg)

400 W Power Supply AC Power Cords

Table A-3 lists the specifications for the AC power cords that are available for the 400 W AC-input power supply. The table includes references to power cord illustrations.



Note

All 400 W power supply power cords have an IEC60320/C13 appliance plug at one end.

Table A-3 400 W AC-input Power Supply Power Cords

Locale	Power Cord Part Number	AC Source Plug Type	Cordset Rating	Power Cord Reference Illustration
Argentina	CAB-ACR	IRAM 2073	10 A, 250 VAC	Figure A-3
Australia, New Zealand	CAB-ACA	SAA AS 3112	10 A, 250 VAC	Figure A-4
People's Republic of China	CP-PWR-CORD-CN	GB16C	10 A, 250 VAC	Figure A-5
Italy	CAB-ACI	CEI 23-16/7	10 A, 250 VAC	Figure A-6
Continental Europe	CAB-ACE	CEE 7/7	10 A, 250 VAC	Figure A-7
North America	CAB-AC-125V/13A	NEMA 5-15P	13 A, 125 VAC	Figure A-8
North America	CAB-AC-250V/13A	NEMA 6-20P	13 A, 250 VAC	Figure A-9
United Kingdom	CAB-ACU	BS 1363 ¹	10 A, 250 VAC	Figure A-10
Japan	CP-PWR-CORD-JP	JIS C8303	12 A, 125 VAC	Figure A-11
Switzerland	CAB-ACS	IEC 60884-1	10 A, 250 VAC	Figure A-12

1. Plug contains a 13 A fuse.

Figure A-3 CAB-ACR (Argentina) Power Cord

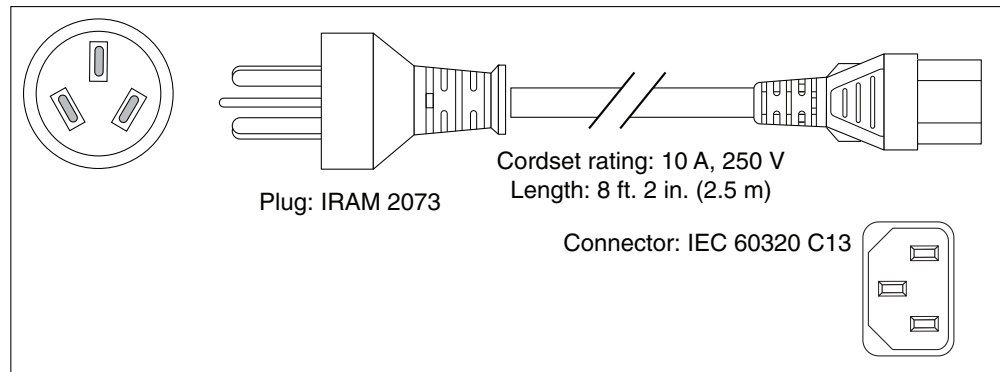


Figure A-4 CAB-ACA (Australia and New Zealand) Power Cord

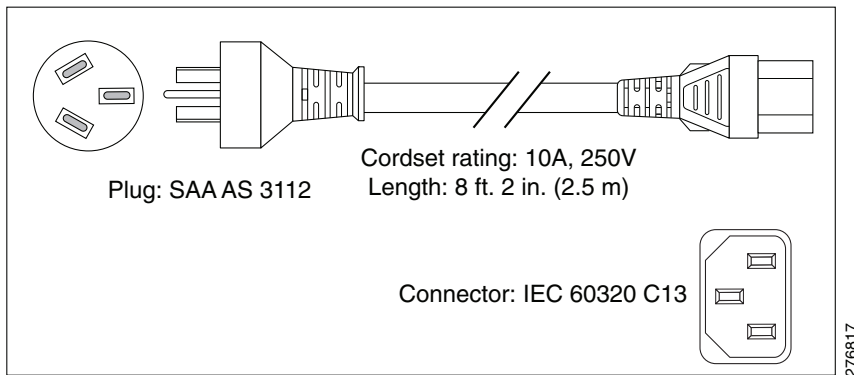


Figure A-5 CP-PWR-CORD-CN (People's Republic of China) Power Cord

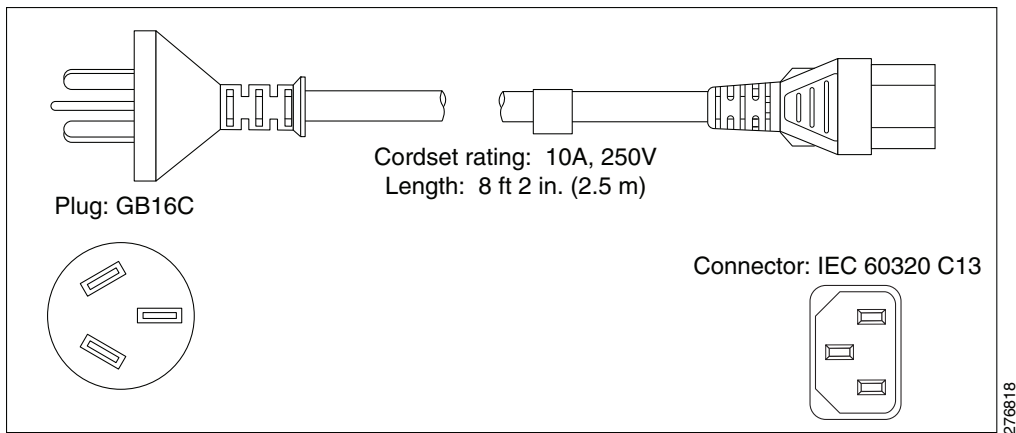


Figure A-6 CAB-ACI (Italy) Power Cord

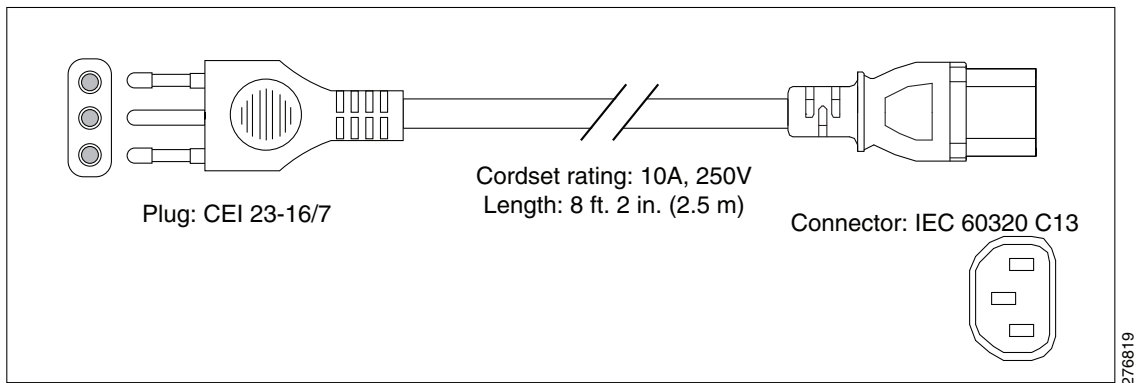


Figure A-7 CAB-ACE (Continental Europe) Power Cord

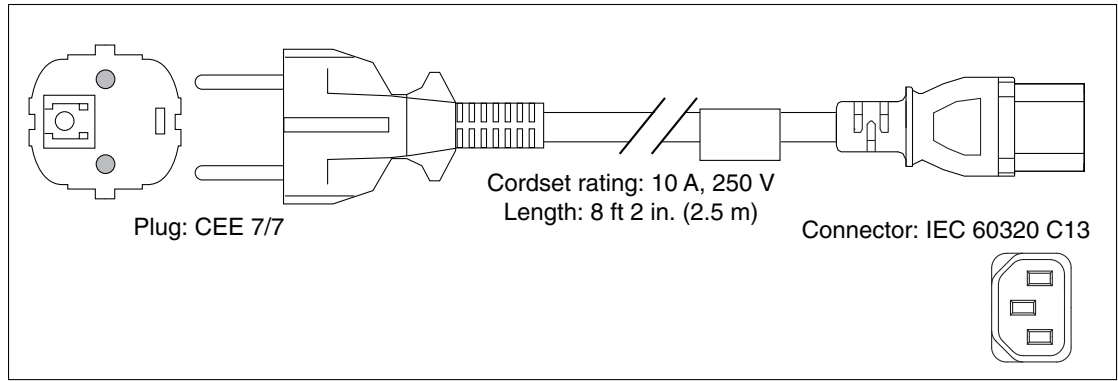


Figure A-8 CAB-AC-125V/13A(North America) Power Cord

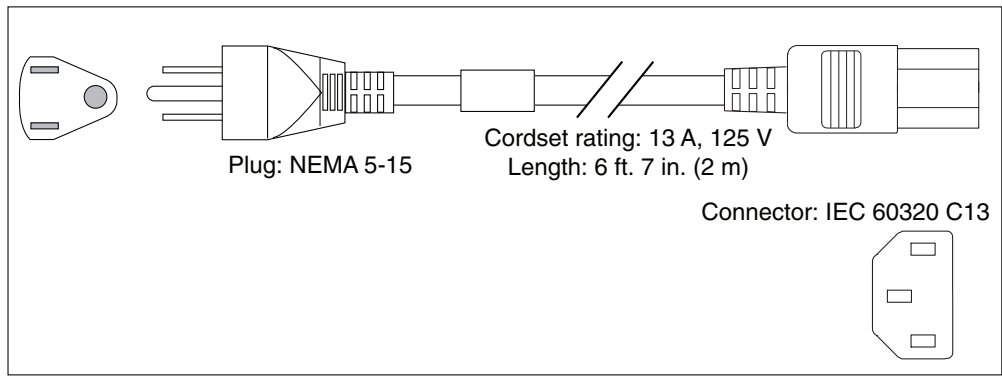


Figure A-9 CAB-AC-250V/13A(North America) Power Cord

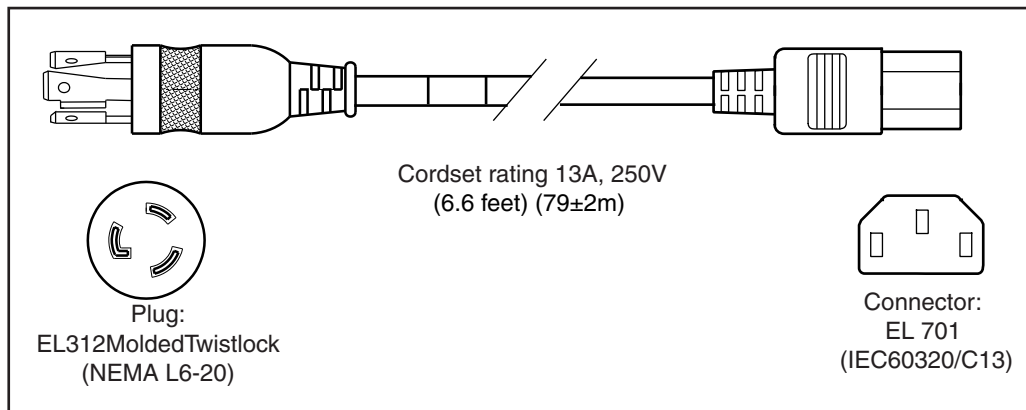


Figure A-10 CAB-ACU (United Kingdom) Power Cord

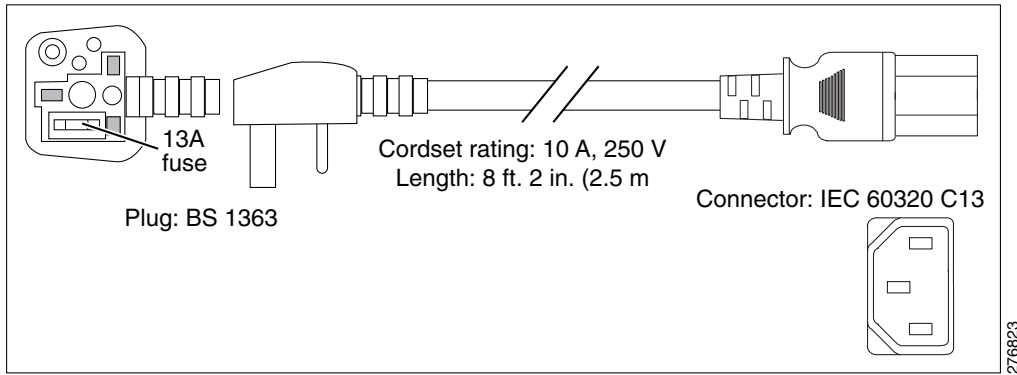


Figure A-11 CP-PWR-CORD-JP (Japan) Power Cord

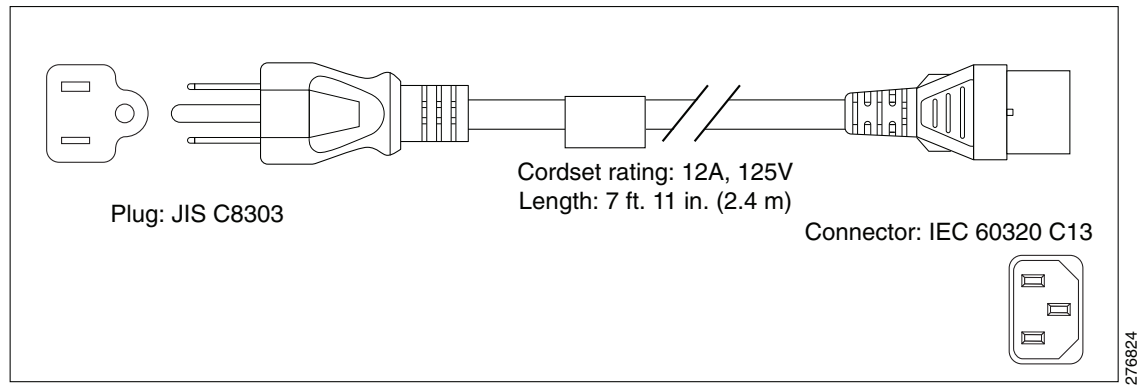


Figure A-12 CAB-ACS (Switzerland) Power Cord

